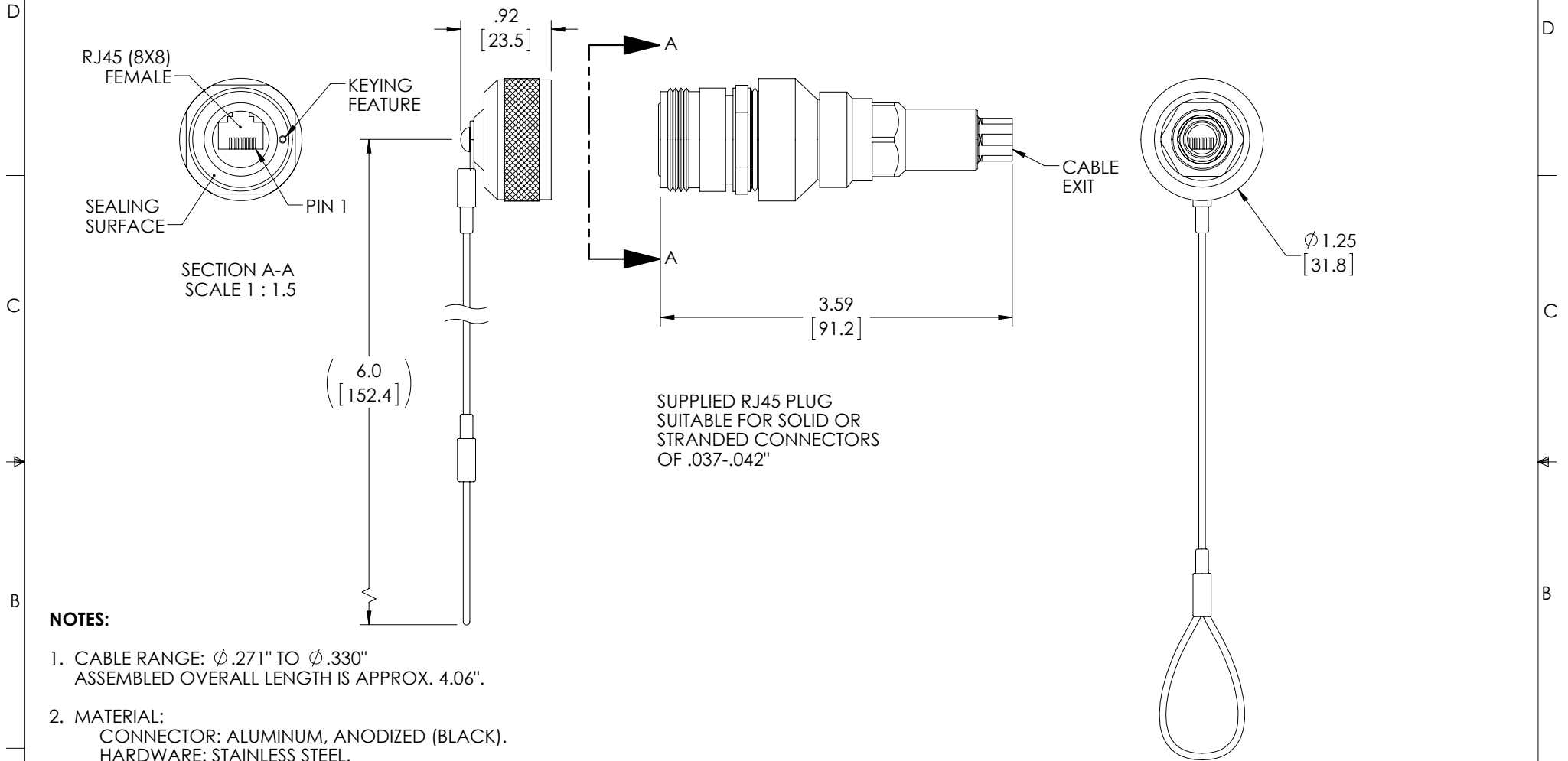


THE INFORMATION CONTAINED IN THIS DRAWING IS THE SOLE PROPERTY OF L-COM, INC. ANY REPRODUCTION IN PART OR WHOLE WITHOUT THE WRITTEN PERMISSION OF L-COM, INC. IS PROHIBITED.

REVISIONS			
REV	DESCRIPTION	DATE	APPROVED
A	INITIAL RELEASE	6/28/17	R.CLARK



SUPPLIED RJ45 PLUG
SUITABLE FOR SOLID OR
STRANDED CONNECTORS
OF .037-.042"

NOTES:

1. CABLE RANGE: ϕ .271" TO ϕ .330"
ASSEMBLED OVERALL LENGTH IS APPROX. 4.06".
2. MATERIAL:
CONNECTOR: ALUMINUM, ANODIZED (BLACK).
HARDWARE: STAINLESS STEEL.
SEALS: SILICONE/NITRILE.
LANYARD: STAINLESS STEEL (NYLON COATED).
3. RATED IP-68.
PERFORMANCE MEETS OR EXCEEDS CATEGORY 6 ANSI/EIA 568-C.
4. ALL DIMENSIONS ARE FOR REFERENCE ONLY.
5. COMPONENT SHALL BE INDIVIDUALLY PACKAGED IN ACCORDANCE WITH L-COM SPECIFICATION LSP-010-1. SHIPS UNASSEMBLED.

REGULATORY COMPLIANCE:
CE2011/65/EU(RoHS DIRECTIVE)

UNLESS OTHERWISE SPECIFIED, DIMENSIONS ARE IN INCHES [mm] OVERALL CABLE LENGTH TOLERANCE: ≤ 12 [305] = +1 [25] / -0 >12 [305] ≤ 60 [1524] = +2 [51] / -0 >60 [1524] ≤ 120 [3048] = +4 [102] / -0 >120 [3048] ≤ 300 [7620] = +6 [152] / -0 >300 [7620] = +5% / -0% ALL OTHER DIMENSIONAL TOLERANCES: .X = \pm .2 [5.08] .XX = \pm .02 [5.1] .XXX = \pm .005 [1.3]	APPROVALS DRAWN BY R.CLARK	DATE 6/28/17		50 HIGH STREET NORTH ANDOVER, MA 01845	
	CHECKED BY M.MARTINEZ	DATE 7/20/17		CATEGORY TELECOM/MODULAR	
	APPROVED BY DJG	DATE 7/21/17	PRODUCT DESCRIPTION C6 RCP ANOD .271-.330 DCAP	SIZE A	FSCM NO. 43321
	PROJECTION 	CONFIGURATION DETAILS OF UNDIMENSIONED FEATURES MAY VARY	COLOR VARIATIONS MAY OCCUR	DWG. NO. ECSP5201UB0	REV. A
SCALE: NONE			CAD FILE: ECSP5201UB0.SLDDRW		
			SHEET 1 OF 1		