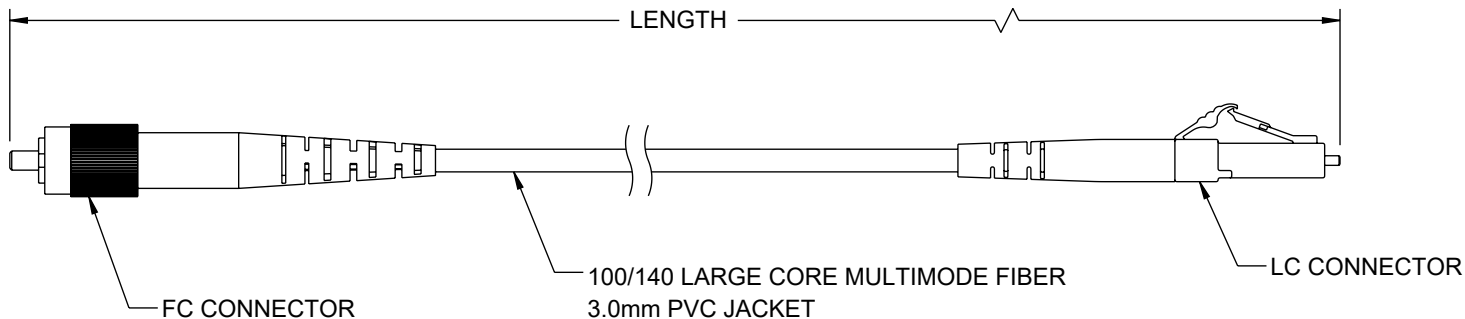


THE INFORMATION CONTAINED IN THIS DRAWING IS THE SOLE PROPERTY OF L-COM, INC. ANY REPRODUCTION IN PART OR WHOLE WITHOUT THE WRITTEN PERMISSION OF L-COM, INC. IS PROHIBITED.

REVISION					
ZONE	REV	DESCRIPTION	DATE	CHANGED BY	APPROVED
	A	INITIAL RELEASE	08/09/2023	HBAKKE	PHOSPODAR



ITEM NUMBER	LENGTH	
	METERS	FEET
FCA-FCLC-SPLCV-01	1.0	3.28
FCA-FCLC-SPLCV-05	5.0	16.40

NOTES:

- CONNECTOR ASSEMBLY POLISH TYPE: PC
- ALL CONNECTORS ACCOMPANIED WITH A DUST CAP INSTALLED (NOT SHOWN).
- CABLE ASSEMBLY SHALL BE INDIVIDUALLY PACKAGED.

REGULATORY COMPLIANCE:

EU RoHS DIRECTIVE (MOST RECENT RELEASED VERSION).

<p>UNLESS OTHERWISE SPECIFIED, DIMENSIONS ARE IN INCHES [mm]</p> <p>OVERALL CABLE LENGTH TOLERANCE: ≤ 12 [305] = +1 [25] / -0 > 12 [305] ≤ 60 [1524] = +2 [51] / -0 > 60 [1524] ≤ 120 [3048] = +4 [102] / -0 > 120 [3048] ≤ 300 [7620] = +6 [152] / -0 > 300 [7620] = +5% / -0</p> <p>ALL OTHER DIMENSIONAL TOLERANCES: .X = $\pm .2$ [5] FRACTIONS $\pm 1/32$.XX = $\pm .02$ [.5] ANGLES $\pm 1^\circ$.XXX = $\pm .005$ [.13]</p> <p>THIRD-ANGLE PROJECTION</p>	APPROVALS	DATE	<p>50 High Street, West Mill, North Andover, MA 01845 USA. Phone: 1.800.341.5266 1.978.682.6936</p>	
	DRAWN BY HBAKKE	08/09/2023		<p>CATEGORY</p> <p>FIBER OPTIC</p>
	CHECKED BY DMAY	08/09/2023		
	APPROVED BY TCAHALANE	08/09/2023		
CONFIGURATION DETAILS OF UNDIMENSIONED FEATURES MAY VARY	<p>PRODUCT DESCRIPTION</p> <p>FIBER OPTIC PATCH CABLE FC/PC-LC/PC SIMPLEX 100/140 LARGE CORE MULTIMODE FIBER 3.0MM PVC</p>			
COLOR VARIATIONS MAY OCCUR	SIZE A	CAGE CODE 43321	ITEM NO. FCA-FCLC-SPLCV	REV. A
SCALE: NONE		CAD FILE: FCA-FCLC-SPLCV.SLDDRW		SHEET 1 OF 1