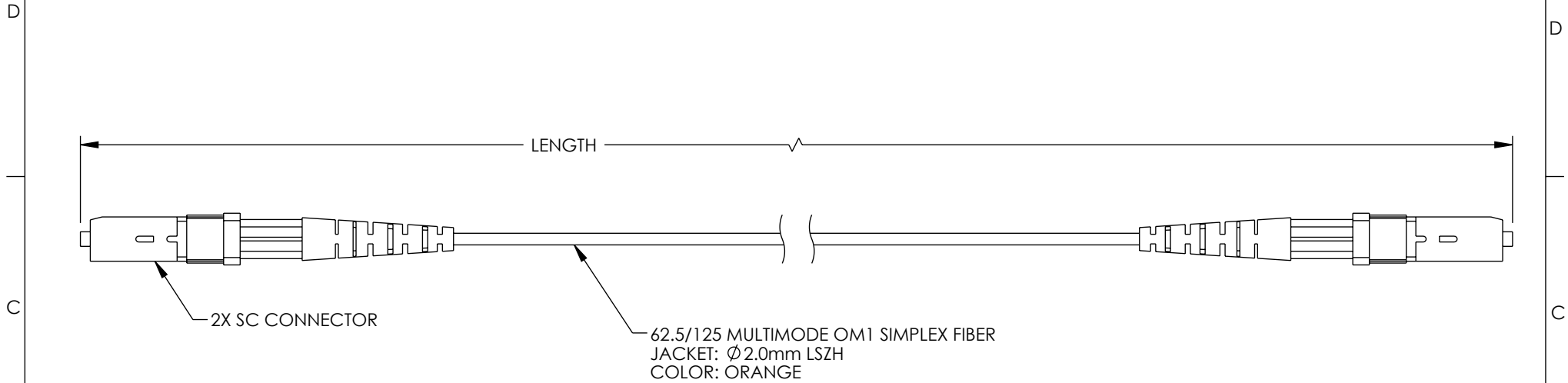


THE INFORMATION CONTAINED IN THIS DRAWING IS THE SOLE PROPERTY OF L-COM, INC. ANY REPRODUCTION IN PART OR WHOLE WITHOUT THE WRITTEN PERMISSION OF L-COM, INC. IS PROHIBITED.


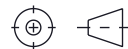
REVISIONS			
REV.	DESCRIPTION	DATE	APPROVED
A	INITIAL RELEASE	10/21/2022	PHOSPODAR



ITEM NUMBER	LENGTH METER [FEET]
FCA-M1SZ-SCSC-01M	1.0 [3.28]
FCA-M1SZ-SCSC-03M	3.0 [9.84]
FCA-M1SZ-SCSC-05M	5.0 [16.40]
FCA-M1SZ-SCSC-10M	10.0 [32.81]

NOTES:

1. SC CONNECTOR ASSEMBLY POLISH TYPE: UPC.
2. ALL CONNECTORS SUPPLIED WITH A DUST CAP INSTALLED, NOT SHOWN.
3. CABLE ASSEMBLY SHALL BE INDIVIDUALLY PACKAGED IAW L-COM SPECIFICATION PS-0031.

UNLESS OTHERWISE SPECIFIED, DIMENSIONS ARE IN INCHES [mm] OVERALL CABLE LENGTH TOLERANCE: ≤12 [305] = +1 [25] / -0 >12 [305] ≤60 [1524] = +2 [51] / -0 >60 [1524] ≤120 [3048] = +4 [102] / -0 >120 [3048] ≤300 [7620] = +6 [152] / -0 >300 [7620] = +5% / -0 ALL OTHER DIMENSIONAL TOLERANCES: .X = ± .2 [5] FRACTIONS ± 1/32 .XX = ± .02 [.5] ANGLES ± 1° .XXX = ± .005 [.13]	APPROVALS	DATE	 50 High Street, West Mill, North Andover, MA 01845 USA. Phone: 1.800.341.5266 1.978.682.6936
	DRAWN BY DZINN CHECKED BY DFRISIELLO APPROVED BY JJOHNSTON	10/21/2022 10/21/2022 10/21/2022	
THIRD-ANGLE PROJECTION 	CONFIGURATION DETAILS OF UNDIMENSIONED FEATURES MAY VARY COLOR VARIATIONS MAY OCCUR	PRODUCT DESCRIPTION FIBER PATCH CABLE ASSY, 62.5/125 MULTIMODE, OM1, LSZH, SCU-SCU	SCALE: NONE CAD FILE: FCA-M1SZ-SCSC.SLDDRW SHEET 1 OF 1
	SIZE A	CAGE CODE 43321	ITEM NO. FCA-M1SZ-SCSC