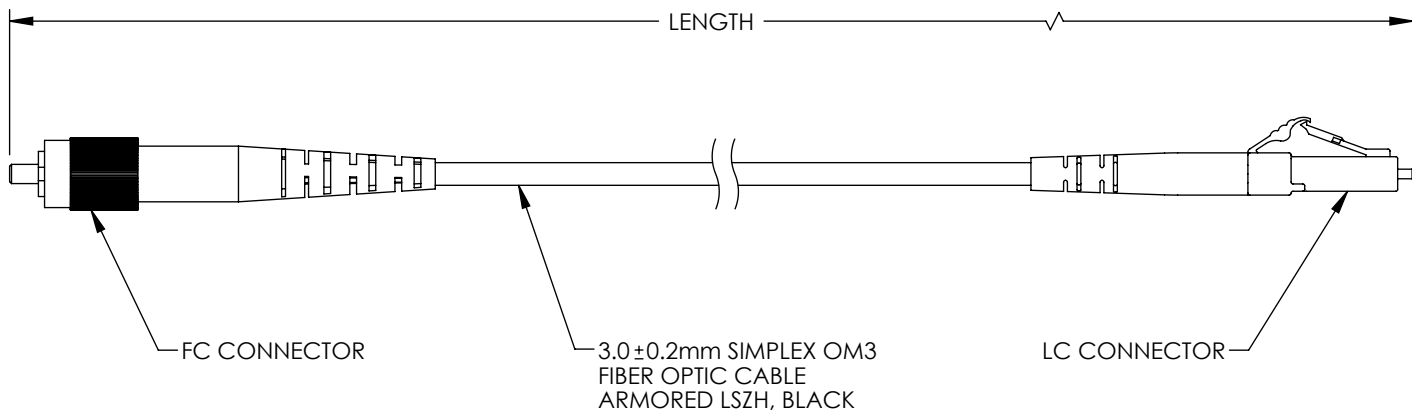


THE INFORMATION CONTAINED IN THIS DRAWING IS THE SOLE PROPERTY OF L-COM, INC. ANY REPRODUCTION IN PART OR WHOLE WITHOUT THE WRITTEN PERMISSION OF L-COM, INC. IS PROHIBITED.

REVISIONS			
REV	DESCRIPTION	DATE	APPROVED
A	INITIAL RELEASE	04/25/2022	PHOSPODAR




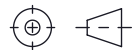
PART NUMBER	LENGTH METER [FEET]
FCA-M3FC-LCS-02	2.0 [6.56]
FCA-M3FC-LCS-05	5.0 [16.40]
FCA-M3FC-LCS-10	10.0 [32.81]
FCA-M3FC-LCS-15	15.0 [49.21]

**NOTES:**

- FC CONNECTOR 1 ASSEMBLY POLISH TYPE: UPC.
- LC CONNECTOR 1 ASSEMBLY POLISH TYPE: UPC.
- ALL CONNECTORS ACCOMPANIED WITH A DUST CAP INSTALLED (NOT SHOWN).
- CABLE ASSEMBLY SHALL BE INDIVIDUALLY PACKAGED.

**REGULATORY COMPLIANCE:**

EU RoHS DIRECTIVE (MOST RECENT RELEASED VERSION).

UNLESS OTHERWISE SPECIFIED, DIMENSIONS ARE IN INCHES [mm] OVERALL CABLE LENGTH TOLERANCE: ≤12 [305] = +1 [25] / -0 >12 [305] ≤60 [1524] = +2 [51] / -0 >60 [1524] ≤120 [3048] = +4 [102] / -0 >120 [3048] ≤300 [7620] = +6 [152] / -0 >300 [7620] = +5% / -0 ALL OTHER DIMENSIONAL TOLERANCES: .X = ± .2 [5]   FRACTIONS ± 1/32 .XX = ± .02 [.5]   ANGLES ± 1° .XXX = ± .005 [.13]	APPROVALS DRAWN BY K.GLEBOVA CHECKED BY P.HOSPODAR APPROVED BY P.HOSPODAR	DATE 04/18/2022 04/25/2022 04/25/2022	 an INFINITO brand	50 High Street, West Mill, North Andover, MA 01845 USA. Phone: 1.800.341.5266 1.978.682.6936
	THIRD-ANGLE PROJECTION 	CONFIGURATION DETAILS OF UNDIMENSIONED FEATURES MAY VARY	COLOR VARIATIONS MAY OCCUR	CATEGORY <b>FIBER OPTICS</b>
PRODUCT DESCRIPTION <b>FIBER OPTIC PATCH CORD MM OM3 SIMPLEX          3.0mm FC/UPC-LC/UPC ARMORED LSZH BLACK</b>			SIZE <b>A</b>	CAGE CODE <b>43321</b>
SCALE: NONE			ITEM NO. <b>FCA-M3FC-LCS</b>	REV. <b>A</b>
CAD FILE: FCA-M3FC-LCS.SLDDRW				SHEET 1 OF 1