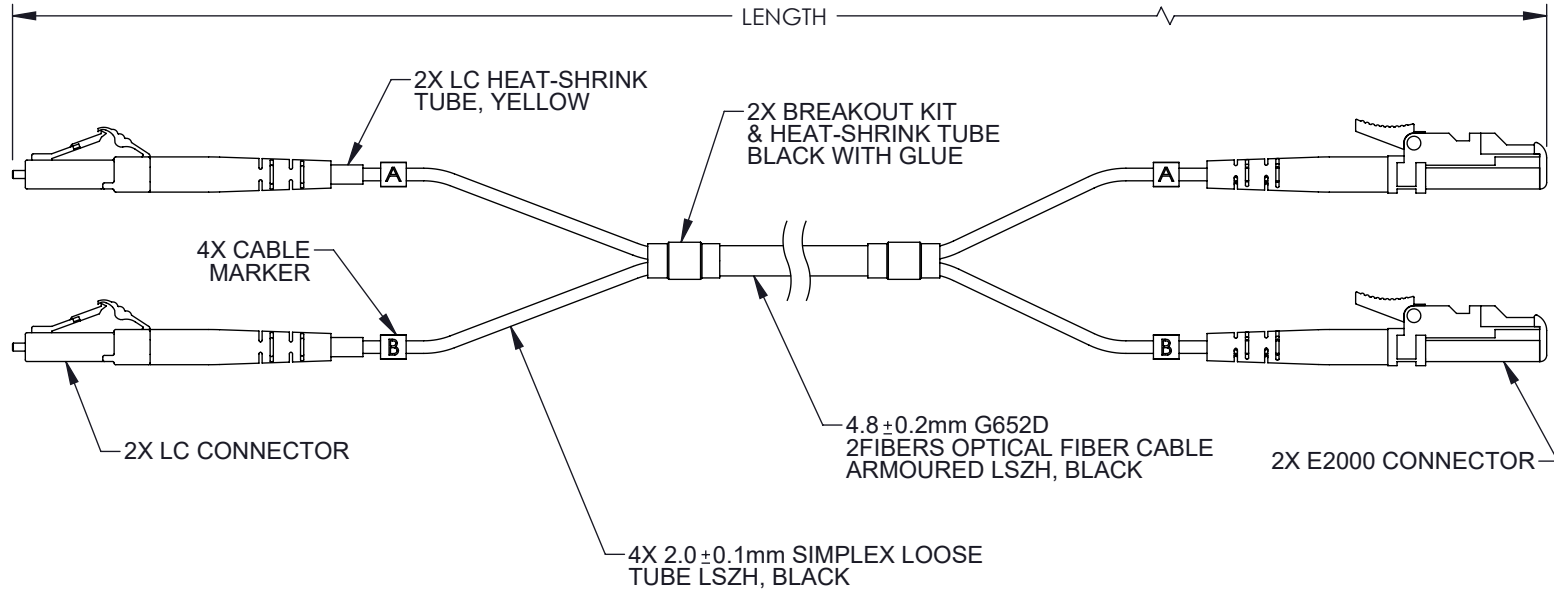


THE INFORMATION CONTAINED IN THIS DRAWING IS THE SOLE PROPERTY OF L-COM, INC. ANY REPRODUCTION IN PART OR WHOLE WITHOUT THE WRITTEN PERMISSION OF L-COM, INC. IS PROHIBITED.

REVISIONS			
REV	DESCRIPTION	DATE	APPROVED
A	INITIAL RELEASE	1/25/2022	JJOHNSTON


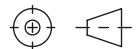


PART NUMBER	LENGTH METER [FEET]
FCA-SLCUE2KUD2	2.0 [6.56]
FCA-SLCUE2KUD5	5.0 [16.40]
FCA-SLCUE2KUD10	10.0 [32.81]
FCA-SLCUE2KUD15	15.0 [49.21]

**NOTES:**

- LC CONNECTOR 2 ASSEMBLY POLISH TYPE: UPC.
- E2000 CONNECTOR 2 ASSEMBLY POLISH TYPE: UPC.
- ALL CONNECTORS ACCOMPANIED WITH A DUST CAP INSTALLED (NOT SHOWN).
- CABLE ASSEMBLY SHALL BE INDIVIDUALLY PACKAGED.

**REGULATORY COMPLIANCE:**  
EU RoHS DIRECTIVE (MOST RECENT RELEASED VERSION)

UNLESS OTHERWISE SPECIFIED, DIMENSIONS ARE IN INCHES [mm] OVERALL CABLE LENGTH TOLERANCE: ≤12 [305] = +1 [25] / -0 >12 [305] ≤60 [1524] = +2 [51] / -0 >60 [1524] ≤120 [3048] = +4 [102] / -0 >120 [3048] ≤300 [7620] = +6 [152] / -0 >300 [7620] = +5% / -0 ALL OTHER DIMENSIONAL TOLERANCES: .X = ± .2 [5]   FRACTIONS ± 1/32 .XX = ± .02 [.5]   ANGLES ± 1° .XXX = ± .005 [.13]	APPROVALS	DATE	 an INFINITO® brand	50 High Street, West Mill, North Andover, MA 01845 USA. Phone: 1.800.341.5266 1.978.682.6936
	DRAWN BY DMAY	1/18/22		
	CHECKED BY JJOHNSTON	1/25/22	PRODUCT DESCRIPTION <b>FIBER OPTIC PATCH CORD SM G652D DUPLEX LC/UPC-E2000/UPC ARMORED 4.8mm LSZH BLACK</b>	
	APPROVED BY JJOHNSTON	1/25/22		
THIRD-ANGLE PROJECTION	SIZE <b>A</b>	CAGE CODE <b>43321</b>	ITEM NO. <b>FCA-SLCUE2KUD</b>	REV. <b>A</b>
	SCALE: NONE	CAD FILE: FCA-SLCUE2KUD.SLDDRW	SHEET 1 OF 1	