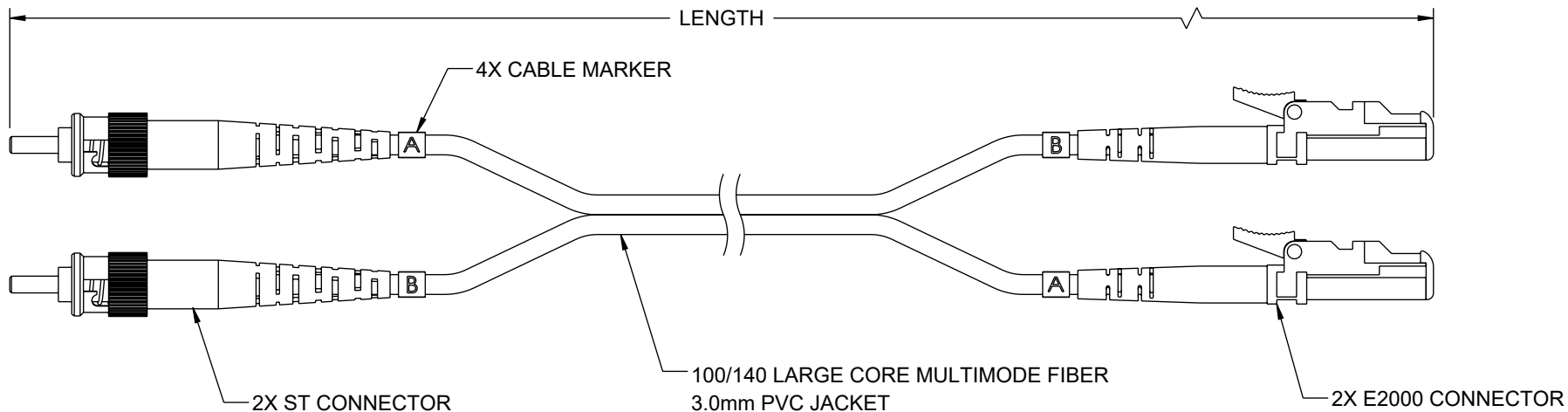


THE INFORMATION CONTAINED IN THIS DRAWING IS THE SOLE PROPERTY OF L-COM, INC. ANY REPRODUCTION IN PART OR WHOLE WITHOUT THE WRITTEN PERMISSION OF L-COM, INC. IS PROHIBITED.

REVISION					
ZONE	REV	DESCRIPTION	DATE	CHANGED BY	APPROVED
	A	INITIAL RELEASE	08/09/2023	HBAKKE	PHOSPODAR




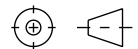
ITEM NUMBER	LENGTH	
	METERS	FEET
FCA-STE2-DPLCV-01	1.0	3.28
FCA-STE2-DPLCV-05	5.0	16.40

NOTES:

- CONNECTOR ASSEMBLY POLISH TYPE: PC
- ALL CONNECTORS ACCOMPANIED WITH A DUST CAP INSTALLED (NOT SHOWN).
- CABLE ASSEMBLY SHALL BE INDIVIDUALLY PACKAGED.

REGULATORY COMPLIANCE:

EU RoHS DIRECTIVE (MOST RECENT RELEASED VERSION).

UNLESS OTHERWISE SPECIFIED, DIMENSIONS ARE IN INCHES [mm] OVERALL CABLE LENGTH TOLERANCE: ≤12 [305] = +1 [25] / -0 >12 [305] ≤60 [1524] = +2 [51] / -0 >60 [1524] ≤120 [3048] = +4 [102] / -0 >120 [3048] ≤300 [7620] = +6 [152] / -0 >300 [7620] = +5% / -0 ALL OTHER DIMENSIONAL TOLERANCES: .X = ± .2 [5] FRACTIONS ± 1/32 .XX = ± .02 [.5] ANGLES ± 1° .XXX = ± .005 [.13]	APPROVALS DRAWN BY HBAKKE CHECKED BY DMAY APPROVED BY TCAHALANE	DATE 08/09/2023 08/09/2023 08/09/2023	 an INFINITI® brand 50 High Street, West Mill, North Andover, MA 01845 USA. Phone: 1.800.341.5266 1.978.682.6936		
	THIRD-ANGLE PROJECTION 	CONFIGURATION DETAILS OF UNDIMENSIONED FEATURES MAY VARY COLOR VARIATIONS MAY OCCUR	CATEGORY FIBER OPTIC	PRODUCT DESCRIPTION FIBER OPTIC PATCH CABLE ST/PC-E2000/PC DUPLEX 100/140 LARGE CORE MULTIMODE FIBER 3.0MM PVC	
		SIZE A	CAGE CODE 43321	ITEM NO. FCA-STE2-DPLCV	REV. A
		SCALE: NONE	CAD FILE: FCA-STE2-DPLCV.SLDDRW	SHEET 1 OF 1	