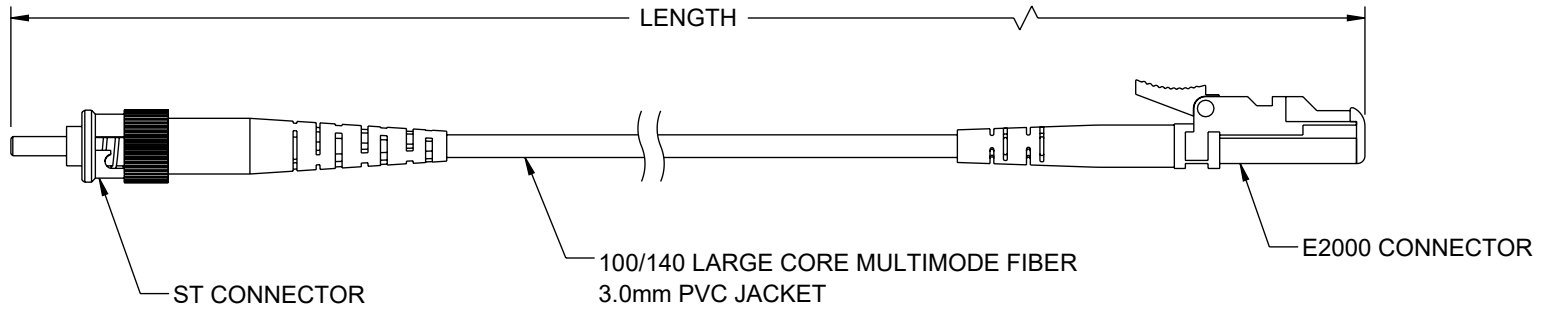


THE INFORMATION CONTAINED IN THIS DRAWING IS THE SOLE PROPERTY OF L-COM, INC. ANY REPRODUCTION IN PART OR WHOLE WITHOUT THE WRITTEN PERMISSION OF L-COM, INC. IS PROHIBITED.

REVISION					
ZONE	REV	DESCRIPTION	DATE	CHANGED BY	APPROVED
	A	INITIAL RELEASE	08/09/2023	HBAKKE	PHOSPODAR




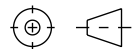
ITEM NUMBER	LENGTH	
	METERS	FEET
FCA-STE2-SPLCV-01	1.0	3.28
FCA-STE2-SPLCV-05	5.0	16.40

NOTES:

- CONNECTOR ASSEMBLY POLISH TYPE: PC
- ALL CONNECTORS ACCOMPANIED WITH A DUST CAP INSTALLED (NOT SHOWN).
- CABLE ASSEMBLY SHALL BE INDIVIDUALLY PACKAGED.

REGULATORY COMPLIANCE:

EU RoHS DIRECTIVE (MOST RECENT RELEASED VERSION).

UNLESS OTHERWISE SPECIFIED, DIMENSIONS ARE IN INCHES [mm] OVERALL CABLE LENGTH TOLERANCE: ≤12 [305] = +1 [25] / -0 >12 [305] ≤60 [1524] = +2 [51] / -0 >60 [1524] ≤120 [3048] = +4 [102] / -0 >120 [3048] ≤300 [7620] = +6 [152] / -0 >300 [7620] = +5% / -0 ALL OTHER DIMENSIONAL TOLERANCES: .X = ± .2 [5] FRACTIONS ± 1/32 .XX = ± .02 [.5] ANGLES ± 1° .XXX = ± .005 [.13]	APPROVALS	DATE	 50 High Street, West Mill, North Andover, MA 01845 USA. Phone: 1.800.341.5266 1.978.682.6936
	DRAWN BY HBAKKE CHECKED BY DMAY APPROVED BY TCAHALANE	08/09/2023 08/09/2023 08/09/2023	
THIRD-ANGLE PROJECTION 	CONFIGURATION DETAILS OF UNDIMENSIONED FEATURES MAY VARY COLOR VARIATIONS MAY OCCUR	PRODUCT DESCRIPTION FIBER OPTIC PATCH CABLE ST/PC-E2000/PC SIMPLEX 100/140 LARGE CORE MULTIMODE FIBER 3.0MM PVC	SIZE A CAGE CODE 43321 ITEM NO. FCA-STE2-SPLCV REV. A
SCALE: NONE		CAD FILE: FCA-STE2-SPLCV.SLDDRW	SHEET 1 OF 1