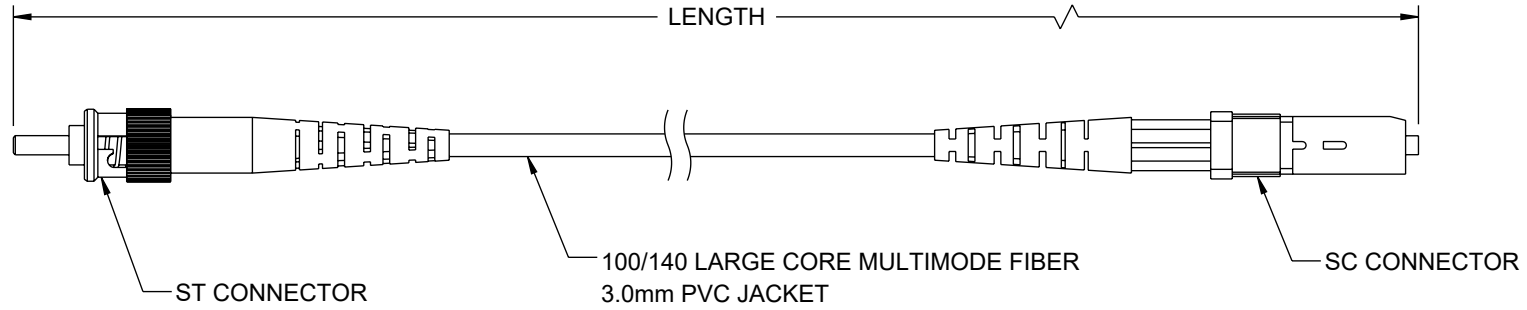


THE INFORMATION CONTAINED IN THIS DRAWING IS THE SOLE PROPERTY OF L-COM, INC. ANY REPRODUCTION IN PART OR WHOLE WITHOUT THE WRITTEN PERMISSION OF L-COM, INC. IS PROHIBITED.

| REVISION | | | | | |
|----------|-----|-----------------|------------|------------|-----------|
| ZONE | REV | DESCRIPTION | DATE | CHANGED BY | APPROVED |
| | A | INITIAL RELEASE | 08/09/2023 | HBAKKE | PHOSPODAR |




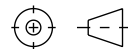
| ITEM NUMBER | LENGTH | |
|-------------------|--------|-------|
| | METERS | FEET |
| FCA-STSC-SPLCV-01 | 1.0 | 3.28 |
| FCA-STSC-SPLCV-05 | 5.0 | 16.40 |

NOTES:

- CONNECTOR ASSEMBLY POLISH TYPE: PC
- ALL CONNECTORS ACCOMPANIED WITH A DUST CAP INSTALLED (NOT SHOWN).
- CABLE ASSEMBLY SHALL BE INDIVIDUALLY PACKAGED.

REGULATORY COMPLIANCE:

EU RoHS DIRECTIVE (MOST RECENT RELEASED VERSION).

| | | | |
|--|--|--|---|
| UNLESS OTHERWISE SPECIFIED, DIMENSIONS ARE IN INCHES [mm] OVERALL CABLE LENGTH TOLERANCE: ≤12 [305] = +1 [25] / -0 >12 [305] ≤60 [1524] = +2 [51] / -0 >60 [1524] ≤120 [3048] = +4 [102] / -0 >120 [3048] ≤300 [7620] = +6 [152] / -0 >300 [7620] = +5% / -0 ALL OTHER DIMENSIONAL TOLERANCES: .X = ± .2 [5] FRACTIONS ± 1/32 .XX = ± .02 [5] ANGLES ± 1° .XXX = ± .005 [13] | APPROVALS | DATE |  50 High Street, West Mill, North Andover, MA 01845 USA. Phone: 1.800.341.5266 1.978.682.6936 |
| | DRAWN BY HBAKKE CHECKED BY DMAY APPROVED BY TCAHALANE | 08/09/2023 08/09/2023 08/09/2023 | |
| THIRD-ANGLE PROJECTION  | CONFIGURATION DETAILS OF UNDIMENSIONED FEATURES MAY VARY COLOR VARIATIONS MAY OCCUR | PRODUCT DESCRIPTION FIBER OPTIC PATCH CABLE ST/PC-SC/PC SIMPLEX 100/140 LARGE CORE MULTIMODE FIBER 3.0MM PVC SIZE: A CAGE CODE: 43321 ITEM NO.: FCA-STSC-SPLCV | REV. A |
| SCALE: NONE | | CAD FILE: FCA-STSC-SPLCV.SLDDRW | SHEET 1 OF 1 |