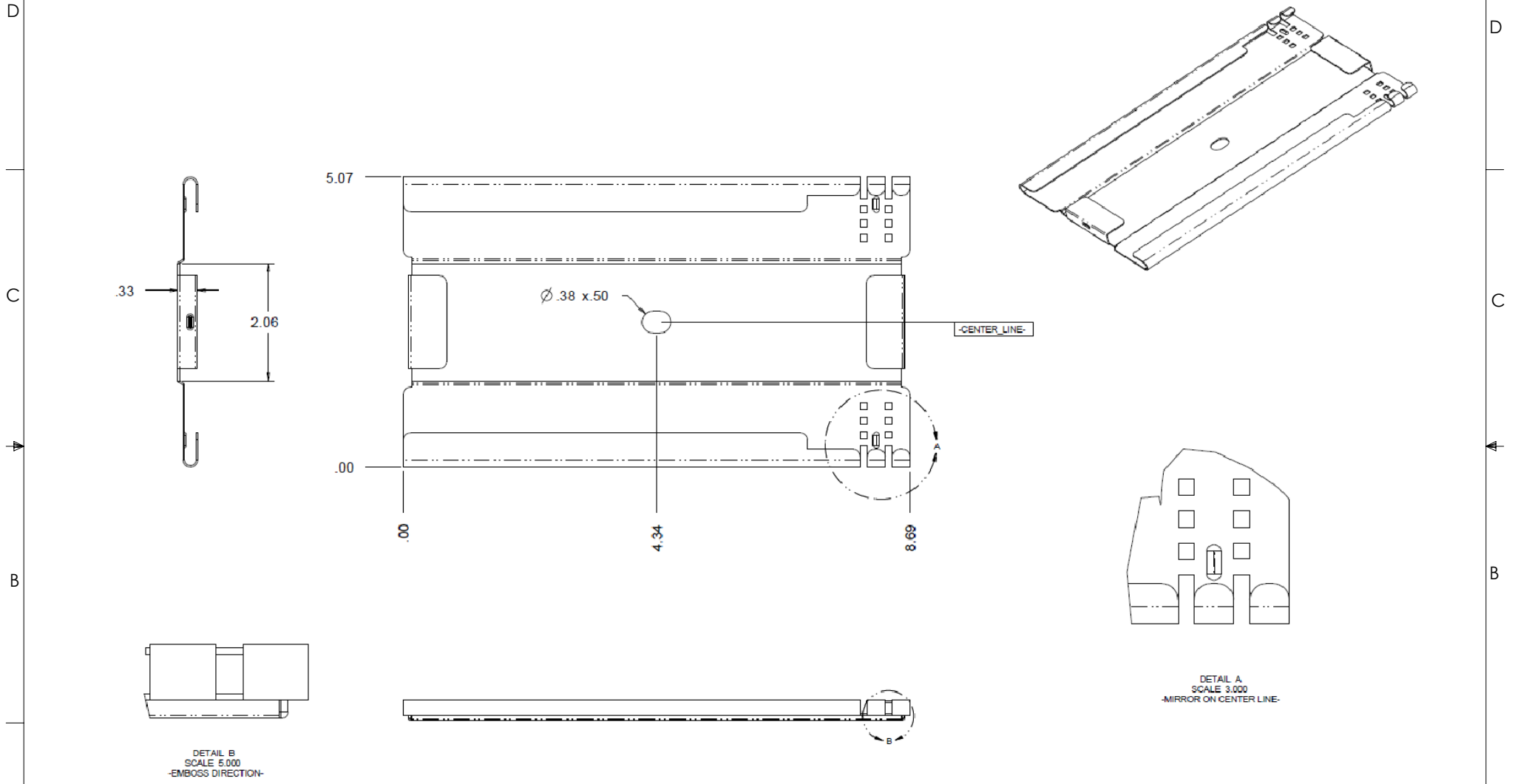


THE INFORMATION CONTAINED IN THIS DRAWING IS THE SOLE PROPERTY OF L-COM, INC. ANY REPRODUCTION IN PART OR WHOLE WITHOUT THE WRITTEN PERMISSION OF L-COM, INC. IS PROHIBITED.

REVISIONS			
REV	DESCRIPTION	DATE	APPROVED
A	INITIAL RELEASE	6/30/10	D.GRIFFIN



<p>UNLESS OTHERWISE SPECIFIED, DIMENSIONS ARE IN INCHES [mm]</p> <p>OVERALL CABLE LENGTH TOLERANCE:  <math>\leq 12</math> [305] = +1 [25] / -0  <math>&gt;12</math> [305] <math>\leq 60</math> [1524] = +2 [51] / -0  <math>&gt;60</math> [1524] <math>\leq 120</math> [3048] = +4 [102] / -0  <math>&gt;120</math> [3048] <math>\leq 300</math> [7620] = +6 [152] / -0  <math>&gt;300</math> [7620] = +3% / -0%</p> <p>ALL OTHER DIMENSIONAL TOLERANCES:          .X = <math>\pm .2</math>          .XX = <math>\pm .02</math>          .XXX = <math>\pm .005</math></p> <p>PROJECTION  </p>	<p>APPROVALS</p> <p>DRAWN BY D. PARHAM</p> <p>CHECKED BY D. CASTRO</p> <p>APPROVED BY K. BLOMGREN</p>	<p>DATE</p> <p>06/30/2010</p> <p>06/30/2010</p> <p>06/30/2010</p>	<p><b>L-com</b> Global Connectivity</p> <p>45 BEECHWOOD DRIVE NORTH ANDOVER, MA 01845</p>	
	<p>CONFIGURATION DETAILS OF UNDIMENSIONED FEATURES MAY VARY</p>			<p>CATEGORY</p> <p><b>RACK/ENCLOSURES</b></p>
	<p>COLOR VARIATIONS MAY OCCUR</p>		<p>PRODUCT DESCRIPTION</p> <p><b>FIBER SPLICE TRAY 8.75" METAL</b></p>	<p>SCALE: NONE   CAD FILE: FE-ST875MC.SLDDRW   SHEET 1 OF 1</p>
	<p>SIZE</p> <p><b>A</b></p>	<p>FSCM NO.</p> <p><b>43321</b></p>	<p>DWG. NO.</p> <p><b>FE-ST875MC</b></p>	