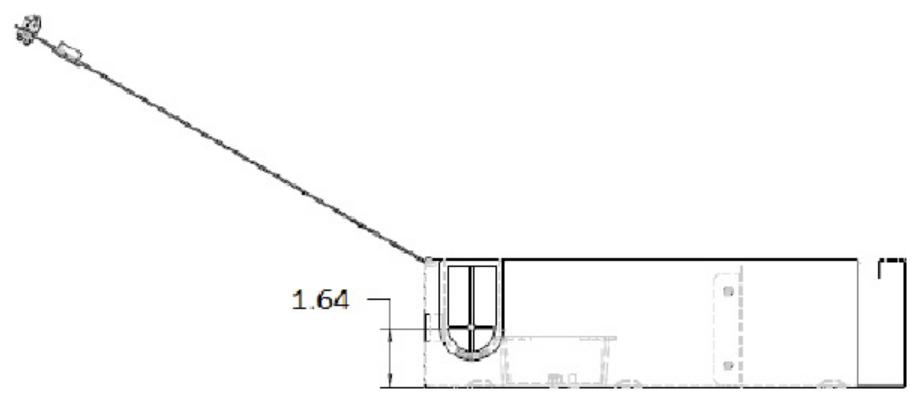
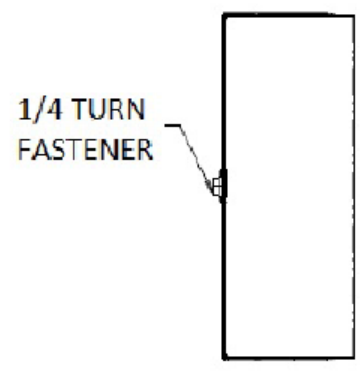
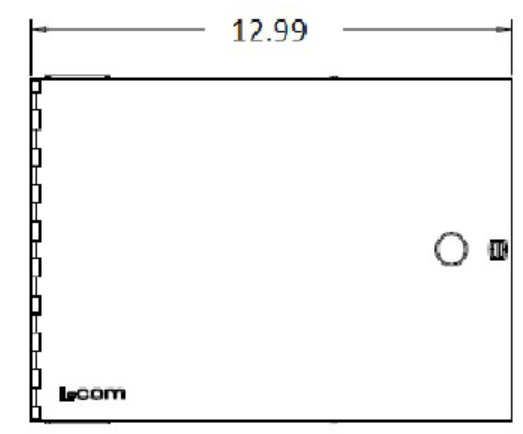
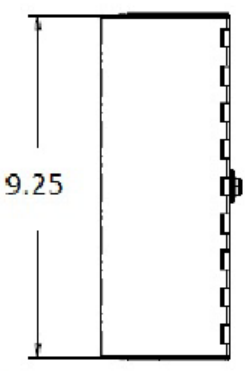
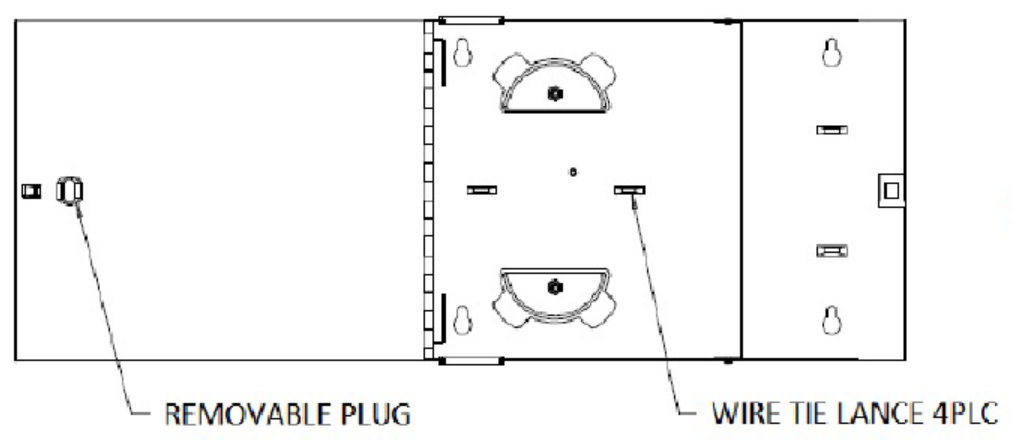
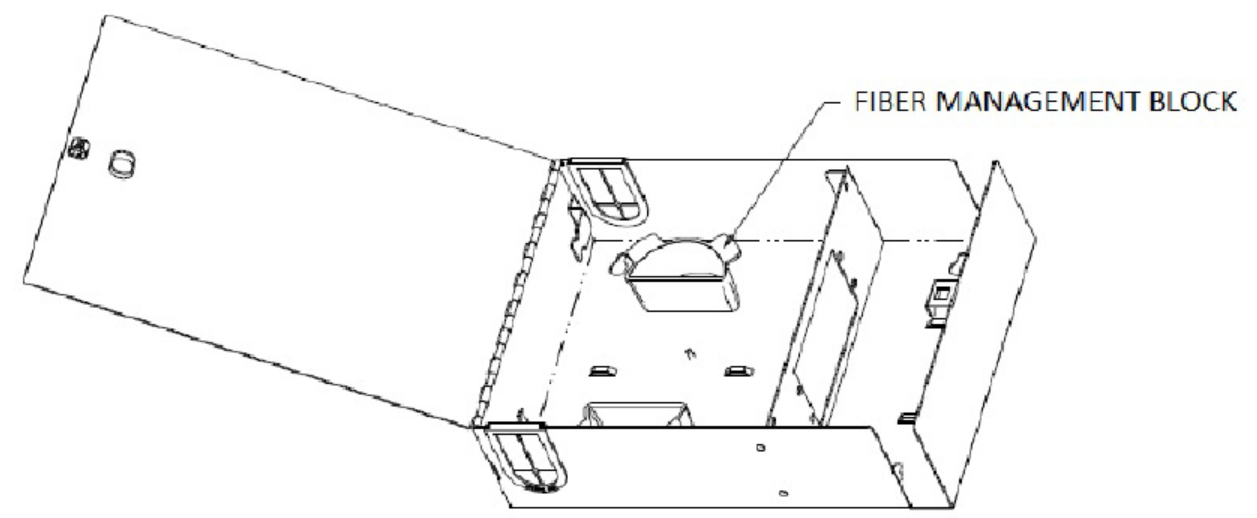


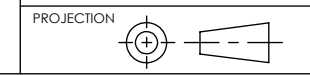
THE INFORMATION CONTAINED IN THIS DRAWING IS THE SOLE PROPERTY OF L-COM, INC. ANY REPRODUCTIONS IN PART OR WHOLE WITHOUT THE WRITTEN PERMISSION OF L-COM, INC. IS PROHIBITED.

REVISIONS			
REV	DESCRIPTION	DATE	CHANGED BY
A	INITIAL RELEASE	8/12/11	D. CASTRO



- NOTES:**
1. MATERIAL: 16 GAUGE STEEL.
  2. FINISH: BLACK POWDER COAT.
  3. COMPONENT SHALL BE PACKAGED IN ACCORDANCE WITH L-COM SPEC. PS-0014

UNLESS OTHERWISE SPECIFIED, DIMENSIONS ARE IN INCHES [mm]  
 OVERALL CABLE LENGTH TOLERANCE:  
 ≤12 [305] = +1 [25] / -0  
 >12 [305] ≤60 [1524] = +2[51] / -0  
 >60 [1524] ≤120 [3048] = +4 [102] / -0  
 >120 [3048] ≤300 [7620] = +6 [152] / -0  
 >300 [7620] = +5% / -0%  
 ALL OTHER DIMENSIONAL TOLERANCES:  
 .X = ±.2  
 .XX = ±.02  
 .XXX = ±.005



APPROVALS	DATE
DRAWN BY D. CASTRO	8/12/11
CHECKED BY	
APPROVED BY	
CONFIGURATION DETAILS OF UNDIMENSIONED FEATURES MAY VARY	
COLOR VARIATIONS MAY OCCUR	

**L-com** Global Connectivity  
 45 BEECHWOOD DRIVE  
 NORTH ANDOVER, MA 01845

CATEGORY		RACKS/PANELS	
PRODUCT DESCRIPTION			
Fiber Encl Wall MNT 12 PORT PN			
SIZE	FSCM NO.	DWG. NO.	REV.
<b>B</b>	<b>43321</b>	<b>FE-WM12PP</b>	<b>A</b>
SCALE: 1:1	CAD FILE: FE-WM12PP.SLDDRW	SHEET 1 OF 1	