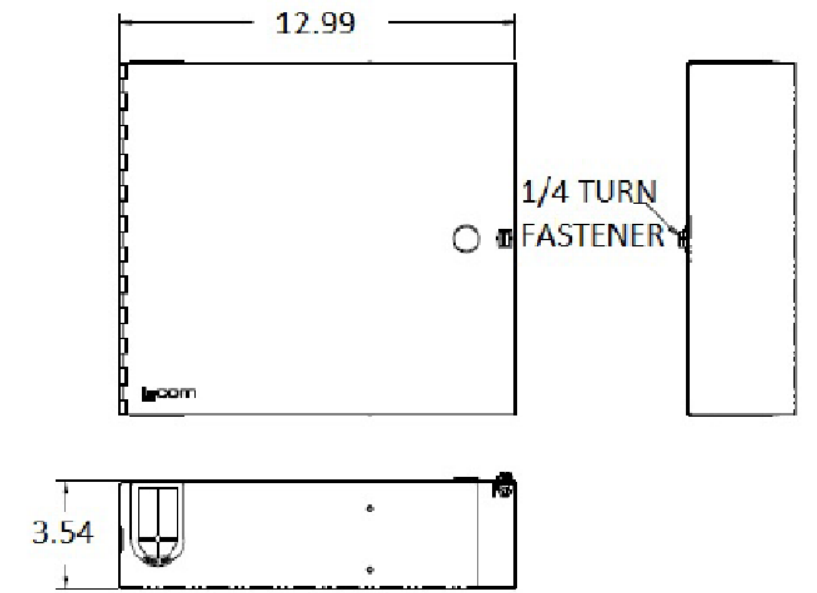
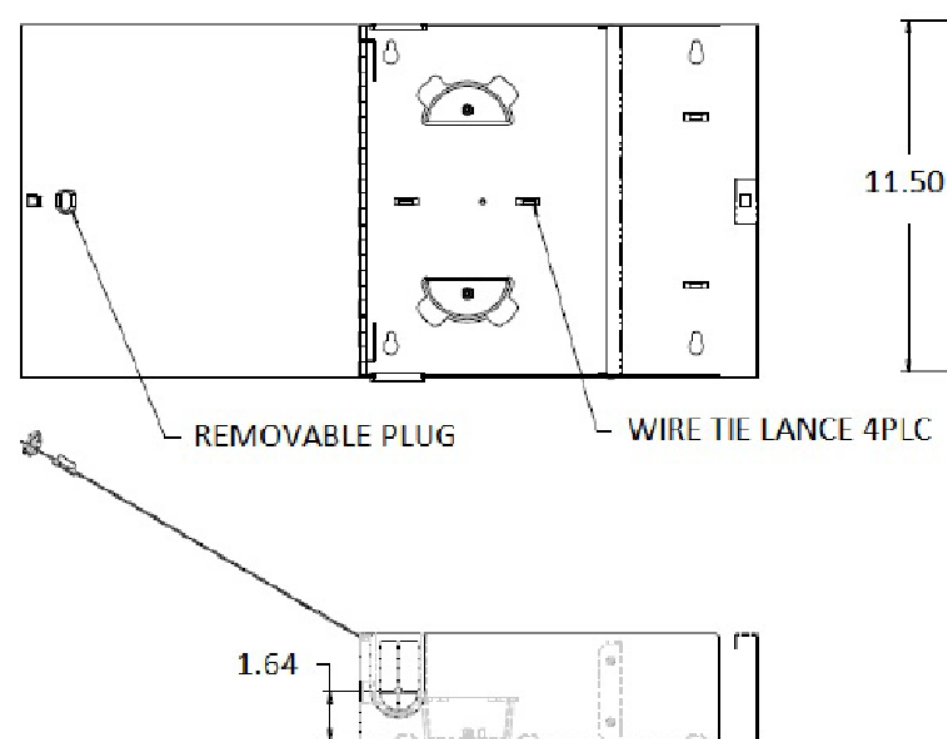
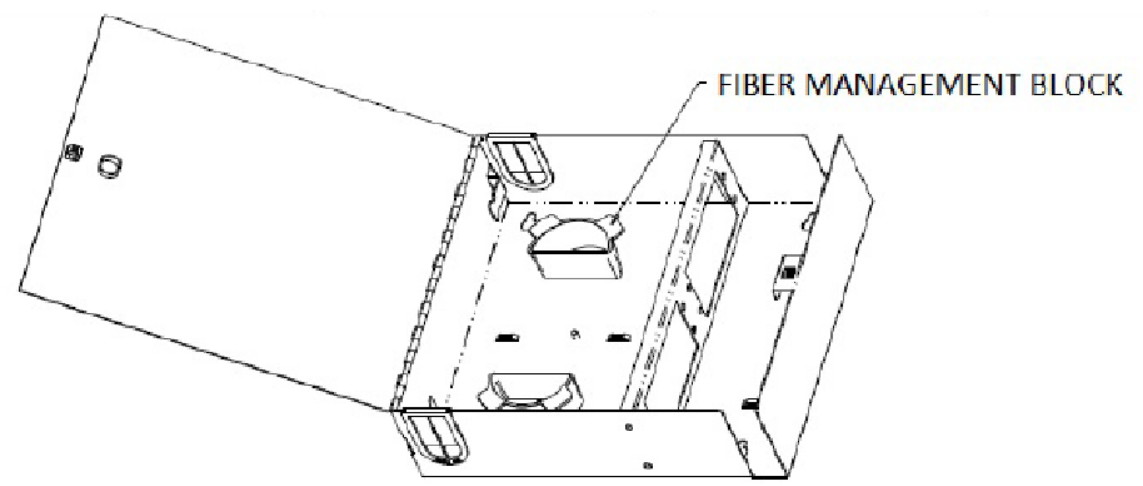


THE INFORMATION CONTAINED IN THIS DRAWING IS THE SOLE PROPERTY OF L-COM, INC. ANY REPRODUCTIONS IN PART OR WHOLE WITHOUT THE WRITTEN PERMISSION OF L-COM, INC. IS PROHIBITED.

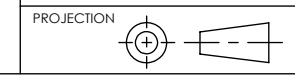
REVISIONS			
REV	DESCRIPTION	DATE	CHANGED BY
A	INITIAL RELEASE	8/12/11	D. CASTRO



NOTES:

1. MATERIAL: 16 GAUGE STEEL.
2. FINISH: BLACK POWDER COAT.
3. COMPONENT SHALL BE PACKAGED IN ACCORDANCE WITH L-COM SPEC. PS-0014

UNLESS OTHERWISE SPECIFIED, DIMENSIONS ARE IN INCHES [mm]
 OVERALL CABLE LENGTH TOLERANCE:
 ≤12 [305] = +1 [25] / -0
 >12 [305] ≤60 [1524] = +2[51] / -0
 >60 [1524] ≤120 [3048] = +4 [102] / -0
 >120 [3048] ≤300 [7620] = +6 [152] / -0
 >300 [7620] = +5% / -0%
 ALL OTHER DIMENSIONAL TOLERANCES:
 .X = ±.2
 .XX = ±.02
 .XXX = ±.005



APPROVALS	DATE
D. CASTRO	8/12/11
D. FRISIELLO	8/12/11
M. MARTINEZ	8/12/11

L-com Global Connectivity
 45 BEECHWOOD DRIVE
 NORTH ANDOVER, MA
 01845

CATEGORY		RACKS/PANELS	
PRODUCT DESCRIPTION			
FIBER Encl Wall MNT 24 Port Pn			
SIZE	FSCM NO.	DWG. NO.	REV.
B	43321	FE-WM24PP	A
SCALE: 1:1	CAD FILE: FE-WM24PP.SLDDRW		SHEET 1 OF 1