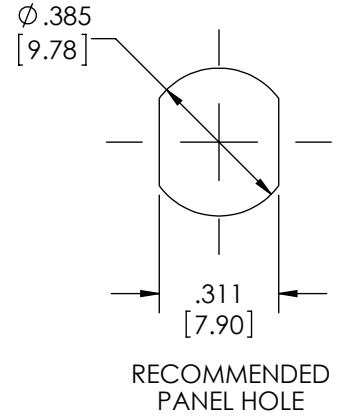
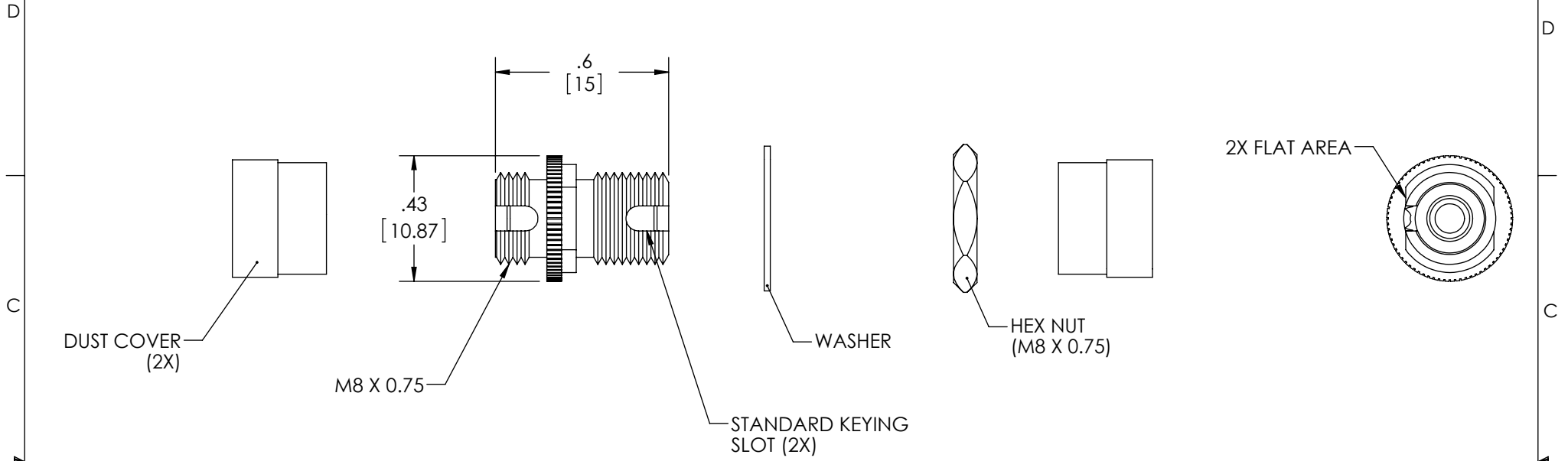


THE INFORMATION CONTAINED IN THIS DRAWING IS THE SOLE PROPERTY OF L-COM, INC. ANY REPRODUCTION IN PART OR WHOLE WITHOUT THE WRITTEN PERMISSION OF L-COM, INC. IS PROHIBITED.

REVISIONS			
REV	DESCRIPTION	DATE	APPROVED
A	DRAWING REPLACES FOA-033-OD1	9/24/14	D. CASTRO



NOTES:  
 MATERIAL:  
 SLEEVE: PHOSPHOR BRONZE.  
 BODY: BRASS.  
 DUST CAP: ENGINEERING PLASTIC.  
 WASHER: BRASS.  
 NUT: BRASS.

FINISH:  
 BODY: NICKEL.  
 WASHER: NICKEL.  
 NUT: NICKEL.

MISCELLANEOUS:  
 SHIPPED WITH DUST CAPS INSTALLED.  
 COMPONENT SHALL BE INDIVIDUALLY PACKAGED IN ACCORDANCE WITH L-COM SPEC. PS-0031.  
 RECOMMENDED PANEL THICKNESS: 0.065"

**REGULATORY COMPLIANCE:**  
 CE2011/65/EU(RoHS DIRECTIVE)

UNLESS OTHERWISE SPECIFIED, DIMENSIONS ARE IN INCHES [mm] OVERALL CABLE LENGTH TOLERANCE: ≤12 [305] = +1 [25] / -0 >12 [305] ≤60 [1524] = +2 [51] / -0 >60 [1524] ≤120 [3048] = +4 [102] / -0 >120 [3048] ≤300 [7620] = +6 [152] / -0 >300 [7620] = +5% / -0% ALL OTHER DIMENSIONAL TOLERANCES: .X = ±.2 [5.08] .XX = ±.02 [51] .XXX = ±.005 [1.27]	APPROVALS DRAWN BY D.PARHAM CHECKED BY T.CLARK APPROVED BY R.CARRICK	DATE 07/26/2000 07/26/2000 07/26/2000	45 BEECHWOOD DRIVE NORTH ANDOVER, MA 01845		
	CONFIGURATION DETAILS OF UNDIMENSIONED FEATURES MAY VARY			CATEGORY FIBER OPTICS	
PROJECTION 	COLOR VARIATIONS MAY OCCUR	SIZE <b>A</b>	FSCM NO. <b>43321</b>	DWG. NO. FOA-033	REV. <b>A</b>
SCALE: NONE		CAD FILE: FOA-033.SLDDRW		SHEET 1 OF 1	