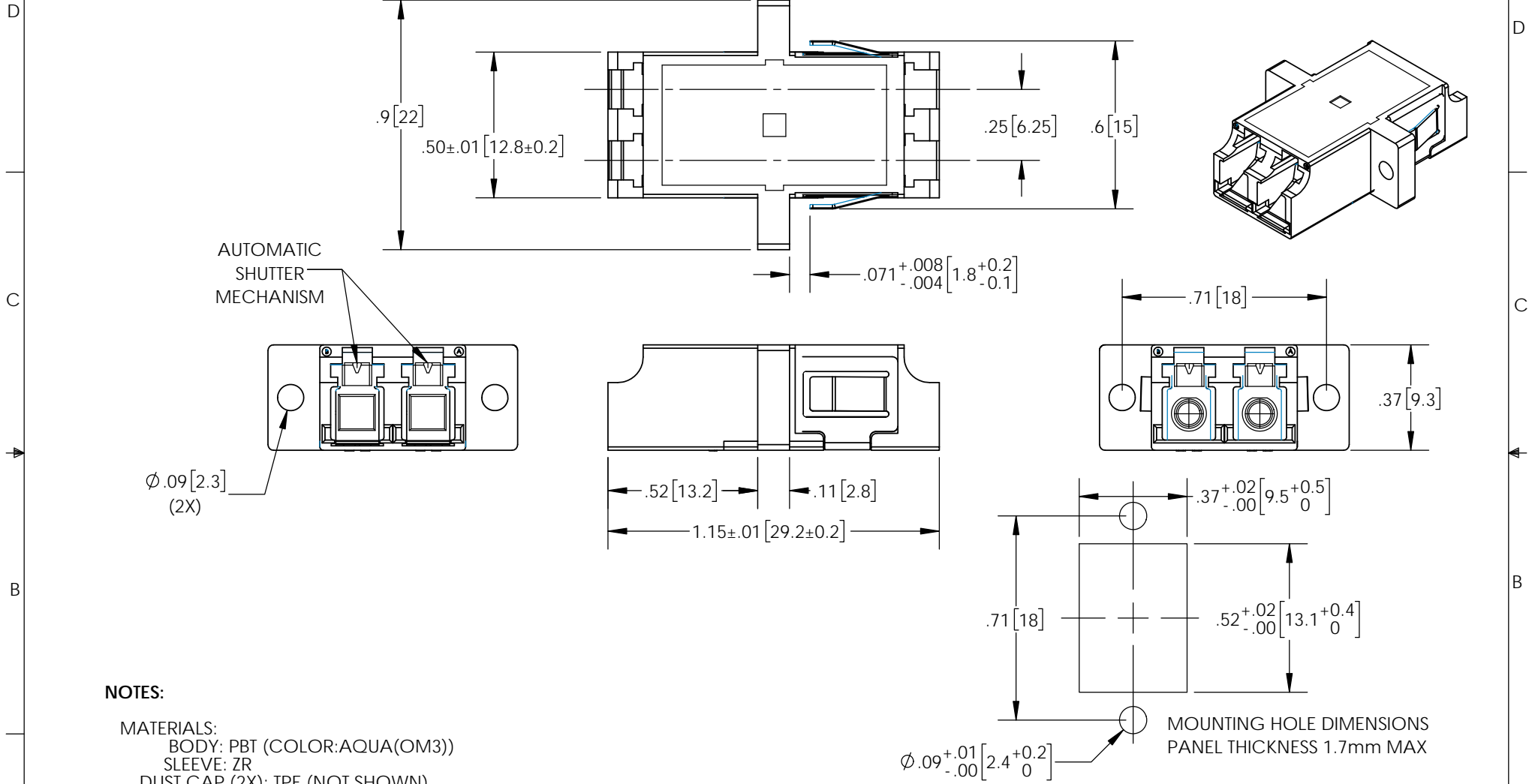


THE INFORMATION CONTAINED IN THIS DRAWING IS THE SOLE PROPERTY OF L-COM, INC. ANY REPRODUCTION IN PART OR WHOLE WITHOUT THE WRITTEN PERMISSION OF L-COM, INC. IS PROHIBITED.

REVISIONS			
REV	DESCRIPTION	DATE	APPROVED
A	REV A DRAWING RELEASED	10/05/2018	BPUCHASKI



NOTES:

MATERIALS:
 BODY: PBT (COLOR:AQUA(OM3))
 SLEEVE: ZR
 DUST CAP (2X): TPE (NOT SHOWN)

PACKAGING:
 COMPONENT SHALL BE PACKAGED IN ACCORDANCE WITH L-COM SPEC PS-0031

- ALL DIMENSIONS FOR REFERENCE-

REGULATORY COMPLIANCE:
 CE2011/65/EU(RoHS DIRECTIVE)

UNLESS OTHERWISE SPECIFIED, DIMENSIONS ARE IN INCHES [mm] DIMENSIONAL TOLERANCES: .X = ±.1 [2.54] .XX = ±.01 [.25] .XXX = ±.005 [.13] ANGULAR TOLERANCES: ALL = ± 1° PROJECTION	APPROVALS DRAWN BY BPUCHASKI	DATE 10/03/2018		50 HIGH STREET NORTH ANDOVER, MA 01845			
	CHECKED BY DFRISIELLO	10/03/2018			CATEGORY FIBER OPTICS		
	APPROVED BY DGUTTADAURO	10/03/2018	PRODUCT DESCRIPTION LC CPLR DUPLEX SHUTTERED, ZR SLEEVE FLNG MNT	SIZE A	FSCM NO. 43321	DWG. NO. FOA-805-AQU	REV. A
	CONFIGURATION DETAILS OF UNDIMENSIONED FEATURES MAY VARY COLOR VARIATIONS MAY OCCUR	SCALE: NONE	CAD FILE: FOA-805-AQU.SLDDRW	SHEET 1 OF 1			