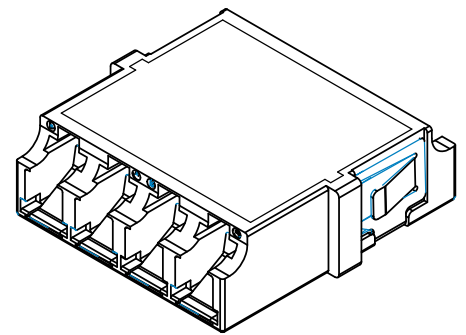
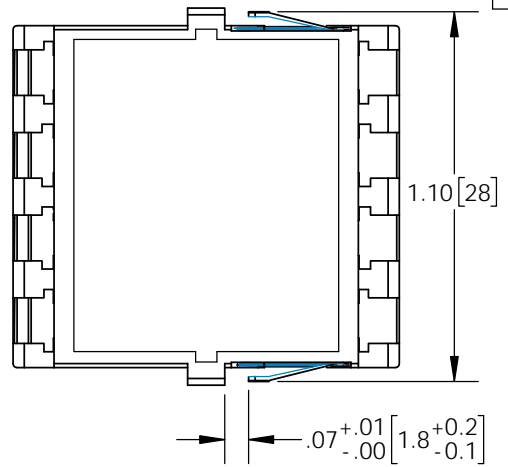
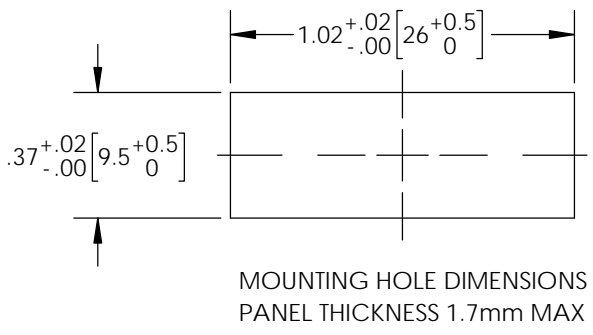
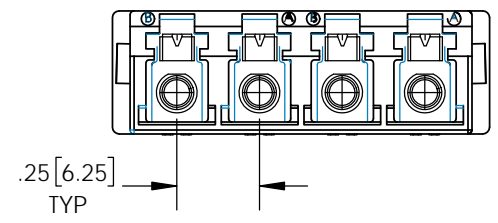
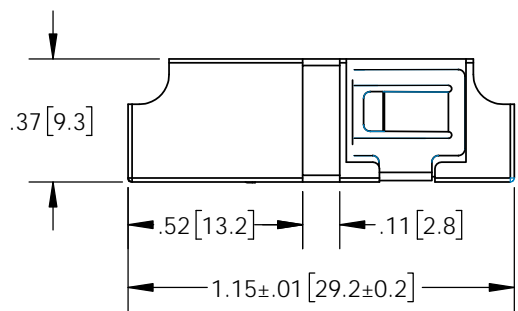
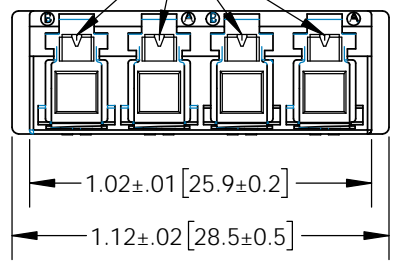


THE INFORMATION CONTAINED IN THIS DRAWING IS THE SOLE PROPERTY OF L-COM, INC. ANY REPRODUCTION IN PART OR WHOLE WITHOUT THE WRITTEN PERMISSION OF L-COM, INC. IS PROHIBITED.

REVISIONS			
REV	DESCRIPTION	DATE	APPROVED
A	REV A DRAWING RELEASED	10/05/2018	BPUCHASKI



AUTOMATIC SHUTTER MECHANISM



NOTES:

MATERIALS:
 BODY: PBT (COLOR:BLACK)
 SLEEVE: ZR
 DUST CAP (4X): TPE (NOT SHOWN)

PACKAGING:
 COMPONENT SHALL BE PACKAGED IN ACCORDANCE WITH L-COM SPEC PS-0031

- ALL DIMENSIONS FOR REFERENCE-

REGULATORY COMPLIANCE:
 CE2011/65/EU(RoHS DIRECTIVE)

UNLESS OTHERWISE SPECIFIED, DIMENSIONS ARE IN INCHES [mm] DIMENSIONAL TOLERANCES: .X = ±.1 [2.54] .XX = ±.01 [25] .XXX = ±.005 [13]	APPROVALS	DATE		50 HIGH STREET NORTH ANDOVER, MA 01845
	DRAWN BY BPUCHASKI	10/03/2018		CATEGORY
ANGULAR TOLERANCES: ALL = ± 1°	CHECKED BY DFRISIELLO	10/03/2018	PRODUCT DESCRIPTION	
	APPROVED BY DGUTTADAURO	10/03/2018	LC CPLR QUAD SHUTTERED, ZR SLEEVE	
PROJECTION	CONFIGURATION DETAILS OF UNDIMENSIONED FEATURES MAY VARY	COLOR VARIATIONS MAY OCCUR	SIZE A	CAGE CODE 43321
			DWG. NO. FOA-807-BLK	REV. A
			SCALE: NONE	CAD FILE: FOA-807-BLK.SLDDRW
				SHEET 1 OF 1