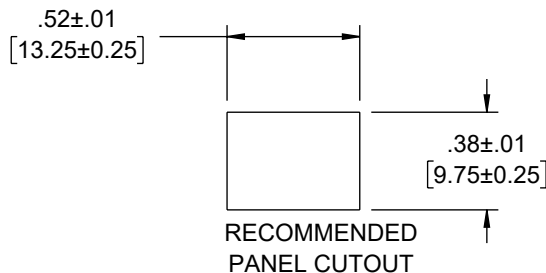
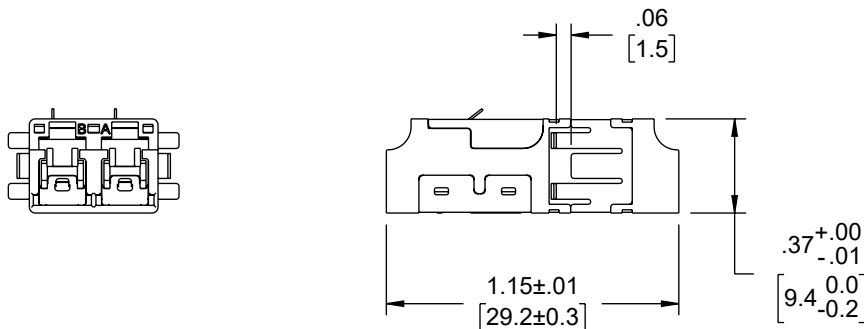
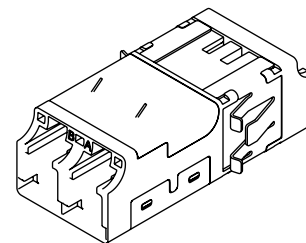
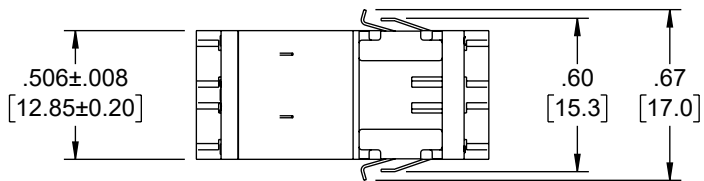


THE INFORMATION CONTAINED IN THIS DRAWING IS THE SOLE PROPERTY OF L-COM, INC. ANY REPRODUCTION IN PART OR WHOLE WITHOUT THE WRITTEN PERMISSION OF L-COM, INC. IS PROHIBITED.


REVISION					
ZONE	REV	DESCRIPTION	DATE	CHANGED BY	APPROVED
	A	INITIAL RELEASE	03/06/2023	HBAKKE	PHOSPODAR



NOTES:

- ALL DIMENSIONS ARE FOR REFERENCE ONLY.
- DUST CAPS NOT SHOWN.
- RECOMMENDED PANEL THICKNESS: .05-.07" [1.2-1.7mm]
- STANDARDS: IEC 61754-20, TIA/EIA 604-10A-2002, TELCORDIA GR-326-CORE
- INSERTION LOSS: <0.2dB
- OPERATING/STORAGE TEMPERATURE: -40 TO +85°C
- COMPONENT SHALL BE INDIVIDUALLY PACKAGED IN ACCORDANCE WITH L-COM SPECIFICATION PS-0031.

REGULATORY COMPLIANCE:
EU RoHS DIRECTIVE (MOST RECENT RELEASED VERSION)

UNLESS OTHERWISE SPECIFIED, DIMENSIONS ARE IN INCHES [mm]	APPROVALS	DATE	 an INFINITO® brand	50 High Street, West Mill, North Andover, MA 01845 USA. Phone: 1.800.341.5266 1.978.682.6936
	OVERALL CABLE LENGTH TOLERANCE: ≤12 [305] = +1 [25] / -0 >12 [305] ≤60 [1524] = +2 [51] / -0 >60 [1524] ≤120 [3048] = +4 [102] / -0 >120 [3048] ≤300 [7620] = +6 [152] / -0 >300 [7620] = +5% / -0	DRAWN BY HBAKKE		
ALL OTHER DIMENSIONAL TOLERANCES: .X = ± .2 [5] FRACTIONS ± 1/32 .XX = ± .02 [.5] ANGLES ± 1° .XXX = ± .005 [1.3]	CHECKED BY DMAY	03/06/2023	CATEGORY FIBER OPTICS	
	APPROVED BY REVANGELIS	03/06/2023	PRODUCT DESCRIPTION Fiber Coupler, LC/LC SlimLine Duplex, Translucent Internal Shutter, Side Spring, High Density Reduced Height, No Flange, Blue	
THIRD-ANGLE PROJECTION	COLOR VARIATIONS MAY OCCUR	SIZE A	CAGE CODE 43321	ITEM NO. FOA-830-BLU
		SCALE: NONE	CAD FILE: FOA-830-BLU.SLDDRW	SHEET 1 OF 1