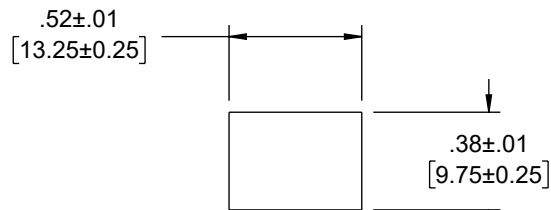
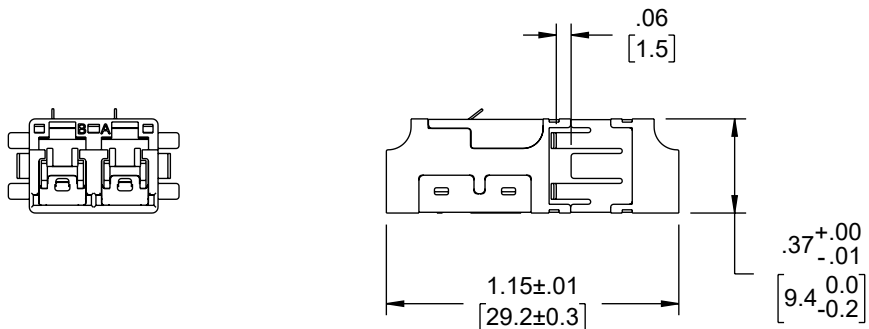
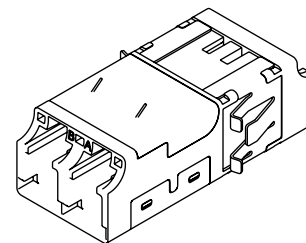
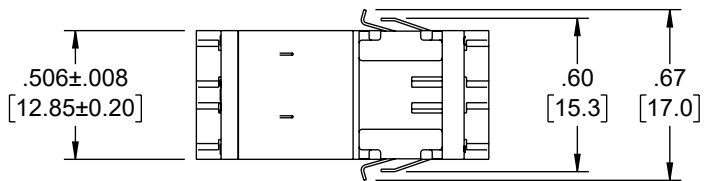


THE INFORMATION CONTAINED IN THIS DRAWING IS THE SOLE PROPERTY OF L-COM, INC. ANY REPRODUCTION IN PART OR WHOLE WITHOUT THE WRITTEN PERMISSION OF L-COM, INC. IS PROHIBITED.

REVISION					
ZONE	REV	DESCRIPTION	DATE	CHANGED BY	APPROVED
	A	INITIAL RELEASE	03/06/2023	HBAKKE	PHOSPODAR


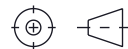


RECOMMENDED  
PANEL CUTOUT

**NOTES:**

- ALL DIMENSIONS ARE FOR REFERENCE ONLY.
- DUST CAPS NOT SHOWN.
- RECOMMENDED PANEL THICKNESS: .05-.07" [1.2-1.7mm]
- STANDARDS: IEC 61754-20, TIA/EIA 604-10A-2002, TELCORDIA GR-326-CORE
- INSERTION LOSS: <0.2dB
- OPERATING/STORAGE TEMPERATURE: -40 TO +85°C
- COMPONENT SHALL BE INDIVIDUALLY PACKAGED IN ACCORDANCE WITH L-COM SPECIFICATION PS-0031.

**REGULATORY COMPLIANCE:**  
EU RoHS DIRECTIVE (MOST RECENT RELEASED VERSION)

UNLESS OTHERWISE SPECIFIED, DIMENSIONS ARE IN INCHES [mm]  OVERALL CABLE LENGTH TOLERANCE: ≤12 [305] = +1 [25] / -0 >12 [305] ≤60 [1524] = +2 [51] / -0 >60 [1524] ≤120 [3048] = +4 [102] / -0 >120 [3048] ≤300 [7620] = +6 [152] / -0 >300 [7620] = +5% / -0  ALL OTHER DIMENSIONAL TOLERANCES: .X = ± .2 [5]   FRACTIONS ± 1/32 .XX = ± .02 [5]   ANGLES ± 1° .XXX = ± .005 [13]	APPROVALS	DATE	 an INFINITO brand  CATEGORY <b>FIBER OPTICS</b>	50 High Street, West Mill, North Andover, MA 01845 USA. Phone: 1.800.341.5266 1.978.682.6936	
	DRAWN BY HBAKKE	03/06/2023			
	CHECKED BY DMAY	03/06/2023			
	APPROVED BY REVANGELIS	03/06/2023			
THIRD-ANGLE PROJECTION	CONFIGURATION DETAILS OF UNDIMENSIONED FEATURES MAY VARY	PRODUCT DESCRIPTION	Fiber Coupler, LC/LC SlimLine Duplex, White Internal Shutter, Side Spring, High Density Reduced Height, No Flange, Beige		
	COLOR VARIATIONS MAY OCCUR	SIZE <b>A</b>	CAGE CODE <b>43321</b>	ITEM NO. <b>FOA-831-BGE</b>	REV. <b>A</b>
		SCALE: NONE	CAD FILE: foa-831-bge.SLDDRW		SHEET 1 OF 1