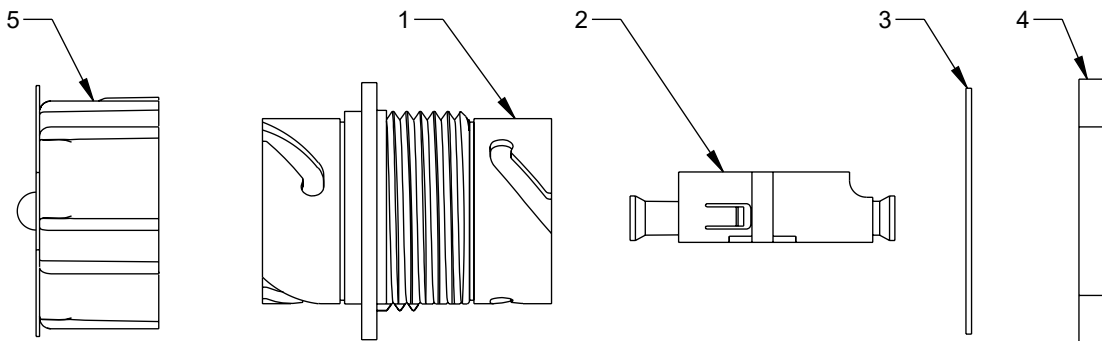


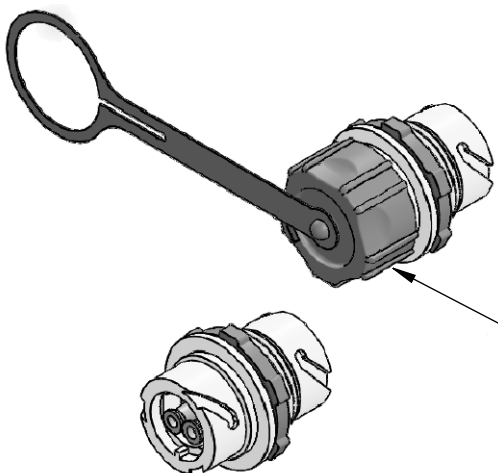
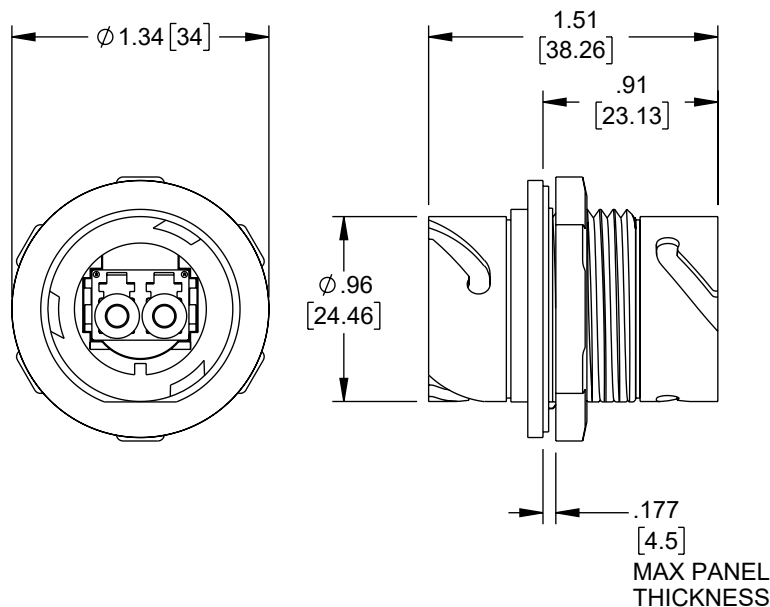
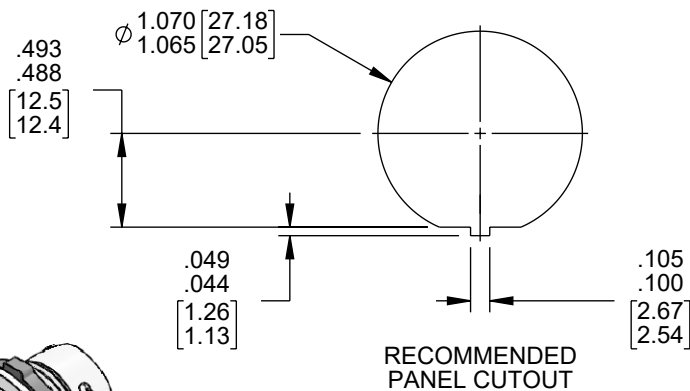
THE INFORMATION CONTAINED IN THIS DRAWING IS THE SOLE PROPERTY OF L-COM, INC. ANY REPRODUCTION IN PART OR WHOLE WITHOUT THE WRITTEN PERMISSION OF L-COM, INC. IS PROHIBITED.

REVISION					
ZONE	REV	DESCRIPTION	DATE	CHANGED BY	APPROVED
D8	B	ECO-13100	09/21/2023	SREITER	REVANGELIS

WITH DUST CAP	
MM AQUA	FOA-LCIMM-D
SM PC BLUE	FOA-LCISM-D
SM APC GREEN	FOA-LCISA-D
WITHOUT DUST CAP	
MM AQUA	FOA-LCIMM-0
SM PC BLUE	FOA-LCISM-0
SM APC GREEN	FOA-LCISA-0



ADAPTER KIT INCLUDES:	
1.	IP INLINE ADAPTER HOUSING
2.	LC ONE PIECE DUPLEX ADAPTER, NO FLANGE, NO SHUTTER
3.	IP ADAPTER SEAL
4.	IP ADAPTER NUT
5.	IP ADAPTER DUST CAP (OPTIONAL)


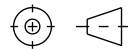


OPTIONAL DUST CAP AND LANYARD

RECOMMENDED PANEL CUTOUT

MAX PANEL THICKNESS

REGULATORY COMPLIANCE:
EU RoHS DIRECTIVE (MOST RECENTLY RELEASED VERSION).

UNLESS OTHERWISE SPECIFIED, DIMENSIONS ARE IN INCHES [mm] OVERALL CABLE LENGTH TOLERANCE: ≤12 [305] = +1 [25] / -0 >12 [305] ≤60 [1524] = +2 [51] / -0 >60 [1524] ≤120 [3048] = +4 [102] / -0 >120 [3048] ≤300 [7620] = +6 [152] / -0 >300 [7620] = +5% / -0 ALL OTHER DIMENSIONAL TOLERANCES: .X = ± .2 [5] FRACTIONS ± 1/32 .XX = ± .02 [.5] ANGLES ± 1° .XXX = ± .005 [1.3]	APPROVALS DRAWN BY AKRESOWSKI CHECKED BY REVANGELIS APPROVED BY PHOSPODAR	DATE 09/13/2023 09/13/2023 09/13/2023	 50 High Street, West Mill, North Andover, MA 01845 USA. Phone: 1.800.341.5266 1.978.682.6936		
	CONFIGURATION DETAILS OF UNDIMENSIONED FEATURES MAY VARY COLOR VARIATIONS MAY OCCUR			CATEGORY FIBER OPTIC	
THIRD-ANGLE PROJECTION 	PRODUCT DESCRIPTION IP68-LC INLINE DX ADPTR	SIZE A	CAGE CODE 43321	ITEM NO. FOA-LCIXX-X	REV. B
SCALE: NONE		CAD FILE: FOA-LCIXX-X.SLDRW		SHEET 1 OF 1	