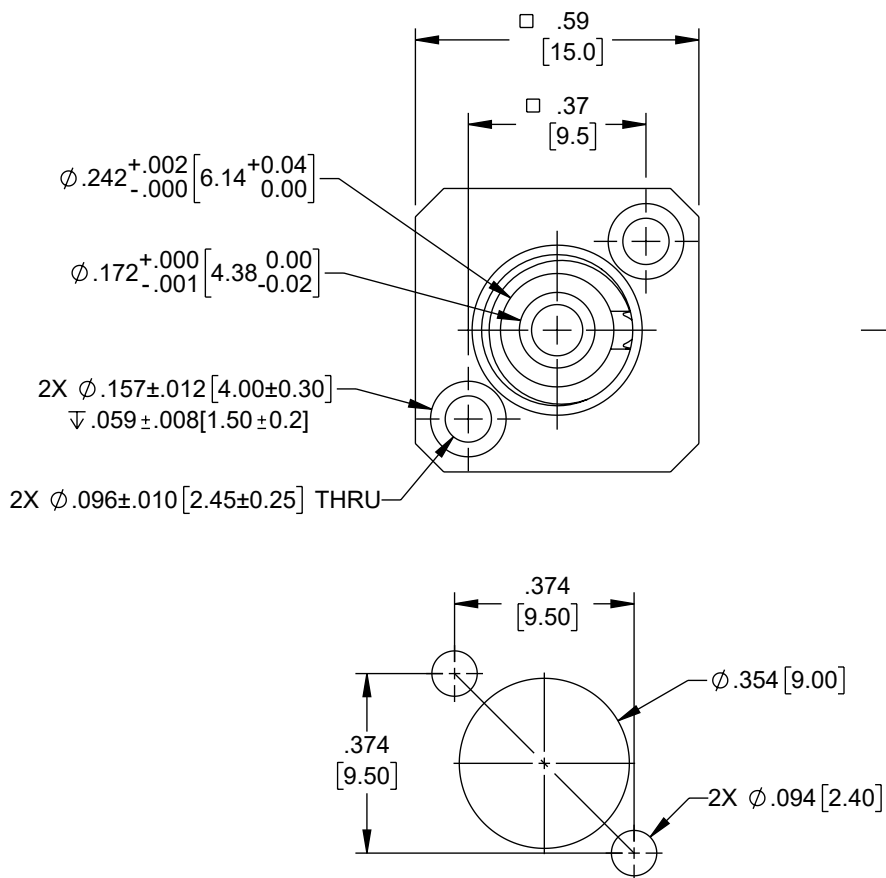
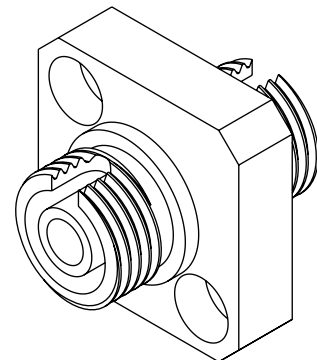


THE INFORMATION CONTAINED IN THIS DRAWING IS THE SOLE PROPERTY OF L-COM, INC. ANY REPRODUCTION IN PART OR WHOLE WITHOUT THE WRITTEN PERMISSION OF L-COM, INC. IS PROHIBITED.

REVISION					
ZONE	REV	DESCRIPTION	DATE	CHANGED BY	APPROVED
	A	INITIAL RELEASE	05/22/2023	DMAY	PHOSPODAR




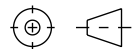
KEY WIDTH  
2X  $.085^{+.002}_{-.000}$   
[2.15^{+0.05}\_{0.00}]



MOUNTING HOLE DIMENSIONS  
(REFERENCE ONLY)

- NOTES:
- INSERTION LOSS: <math>< 0.10</math> dB.
  - SLEEVE/FERRULE WITHDRAWL FORCE: 2.0N TO 5.9N (200GF TO 600GF).
  - CONNECTORS ACCOMPANIED WITH A DUST CAP INSTALLED (NOT SHOWN).
  - COMPONENT SHALL BE INDIVIDUALLY PACKAGED IN ACCORDANCE WITH L-COM SPECIFICATION PS-0031.

REGULATORY COMPLIANCE:  
EU RoHS DIRECTIVE (MOST RECENT RELEASED VERSION)

UNLESS OTHERWISE SPECIFIED, DIMENSIONS ARE IN INCHES [mm] OVERALL CABLE LENGTH TOLERANCE: ≤12 [305] = +1 [25] / -0 >12 [305] ≤60 [1524] = +2 [51] / -0 >60 [1524] ≤120 [3048] = +4 [102] / -0 >120 [3048] ≤300 [7620] = +6 [152] / -0 >300 [7620] = +5% / -0 ALL OTHER DIMENSIONAL TOLERANCES: .X = ± .2 [5]   FRACTIONS ± 1/32 .XX = ± .02 [5]   ANGLES ± 1° .XXX = ± .005 [1.3]	APPROVALS	DATE	 50 High Street, West Mill, North Andover, MA 01845 USA. Phone: 1.800.341.5266 1.978.682.6936		
	DRAWN BY DMAY	05/22/2023			
	CHECKED BY HBAKKE	05/22/2023			
	APPROVED BY PHOSPODAR	05/22/2023			
THIRD-ANGLE PROJECTION 	CONFIGURATION DETAILS OF UNDIMENSIONED FEATURES MAY VARY	CATEGORY <b>FC ADAPTER</b>			
	COLOR VARIATIONS MAY OCCUR	PRODUCT DESCRIPTION POLARIZED MAINTAINING (PM) FC/PC TO FC/PC METAL BODY, SQUARE FLANGE, NARROW KEY, PRECISION ADAPTER	SCALE: NONE   CAD FILE: FOA-PMFCPN.SLDDRW   SHEET 1 OF 1		
		SIZE <b>A</b>	CAGE CODE <b>43321</b>	ITEM NO. <b>FOA-PMFCPN</b>	REV. <b>A</b>