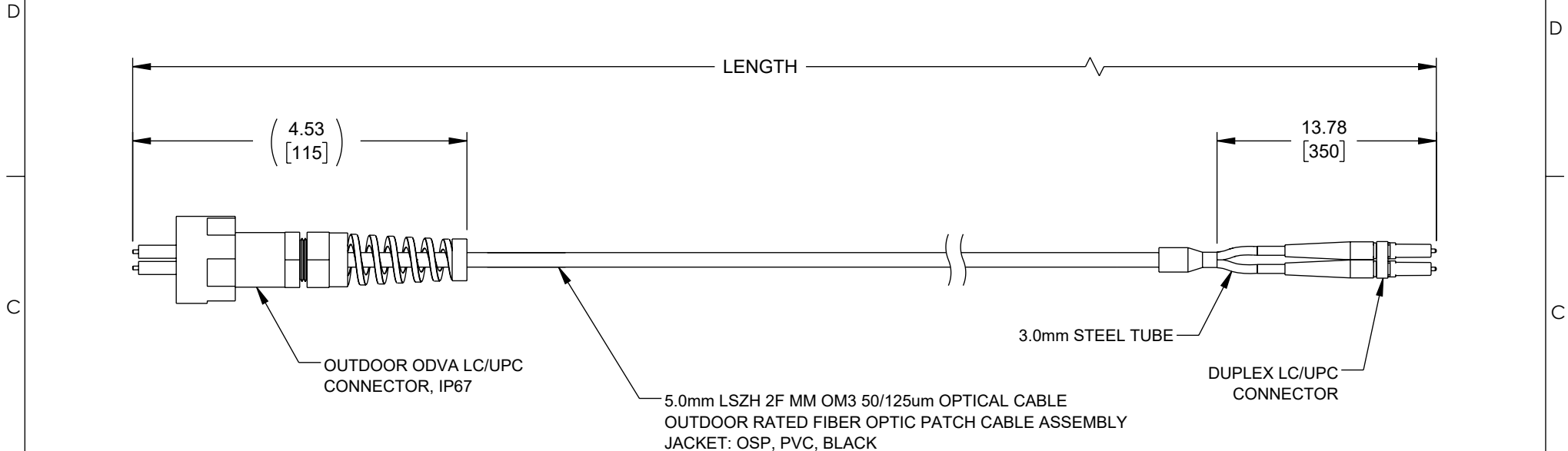


THE INFORMATION CONTAINED IN THIS DRAWING IS THE SOLE PROPERTY OF L-COM, INC. ANY REPRODUCTION IN PART OR WHOLE WITHOUT THE WRITTEN PERMISSION OF L-COM, INC. IS PROHIBITED.

REVISION					
ZONE	REV	DESCRIPTION	DATE	CHANGED BY	APPROVED
	B	ECO-12395	08/25/2023	DMAY	PHOSPODAR




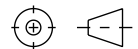
Performance Characteristics

Wavelength 1310 & 1550nm	Typical	Units	
Insertion Loss	≤0.3	dB	
Return Loss	≥30.0	dB	
Repeatability	≤0.2	dB	
Interchangeability	≤0.2	dB	
Durability	800	1000	cycles

Environmental Characteristics

	Minimum	Maximum	Units
Storage Temperature	-40	85	degrees celcius
Operating Temperature	-40	75	degrees celcius
Bend Radius (BIXS)		15	mm
Radius of Curvature	7	25	mm
Apex Offset	0	50	um
Fiber Height	Fn (ROC)	100	nm
Angle	-0.2	0.2	degrees

PART NUMBER	LENGTH METERS [FEET]
FOA6ODD8-001M	1.0 [3.28]
FOA6ODD8-002M	2.0 [6.56]
FOA6ODD8-005M	5.0 [16.40]
FOA6ODD8-010M	10.0 [32.80]
FOA6ODD8-012M	12.0 [39.37]

UNLESS OTHERWISE SPECIFIED, DIMENSIONS ARE IN INCHES [mm] OVERALL CABLE LENGTH TOLERANCE: ≤12 [305] = +1 [25] / -0 >12 [305] ≤60 [1524] = +2 [51] / -0 >60 [1524] ≤120 [3048] = +4 [102] / -0 >120 [3048] ≤300 [7620] = +6 [152] / -0 >300 [7620] = +5% / -0 ALL OTHER DIMENSIONAL TOLERANCES: .X = ± .2 [5] FRACTIONS ± 1/32 .XX = ± .02 [5] ANGLES ± 1° .XXX = ± .005 [1.3]	APPROVALS DRAWN BY MVEERAPPAN CHECKED BY DFRISIELLO APPROVED BY PHOSPODAR	DATE 2/6/2021 08/02/2021 08/02/2021	 an INFINITI® brand	50 High Street, West Mill, North Andover, MA 01845 USA. Phone: 1.800.341.5266 1.978.682.6936
	THIRD-ANGLE PROJECTION 	CONFIGURATION DETAILS OF UNDIMENSIONED FEATURES MAY VARY COLOR VARIATIONS MAY OCCUR	PRODUCT DESCRIPTION OUTDOOR RATED MM (AQUA, 10G) ODVA TO DUPLEX LC/UPC, OSP JACKET CABLE ASSEMBLY	CATEGORY FIBER OPTIC