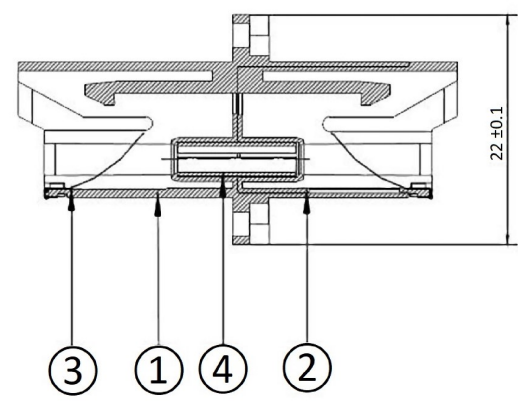
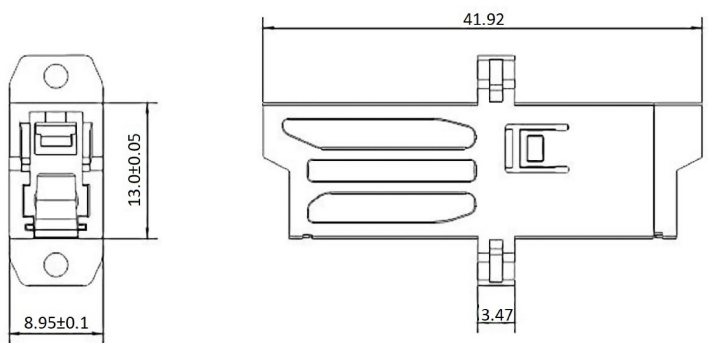
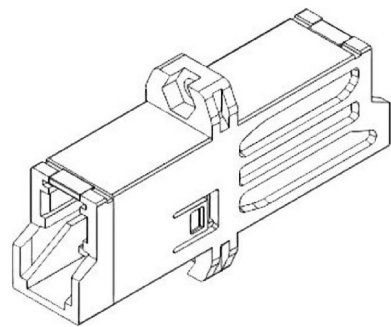



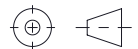
THE INFORMATION CONTAINED IN THIS DRAWING IS THE SOLE PROPERTY OF L-COM, INC. ANY REPRODUCTION IN PART OR WHOLE WITHOUT THE WRITTEN PERMISSION OF L-COM, INC. IS PROHIBITED.

REVISIONS			
REV	DESCRIPTION	DATE	APPROVED
A	INITIAL RELEASE	08-02-2021	PHOSPODAR



E2000 SIMPLEX ADAPTOR APC GREEN

ITEM NUMBER	DESCRIPTION	MATERIAL
1	HOUSING	PBT
2	INNER CORE	PBT
3	SHRAPNEL	SUS304
4	FERRULE	CERAMICS

UNLESS OTHERWISE SPECIFIED, DIMENSIONS ARE IN INCHES [mm] OVERALL CABLE LENGTH TOLERANCE: ≤12 [305] = +1 [25] / -0 >12 [305] ≤60 [1524] = +2 [51] / -0 >60 [1524] ≤120 [3048] = +4 [102] / -0 >120 [3048] ≤300 [7620] = +6 [152] / -0 >300 [7620] = +5% / -0 ALL OTHER DIMENSIONAL TOLERANCES: .X = ± .2 [5]   FRACTIONS ± 1/32 .XX = ± .02 [.5]   ANGLES ± 1° .XXX = ± .005 [.13]	APPROVALS DRAWN BY MVEERAPPAN CHECKED BY GIBACETA APPROVED BY PHOSPODAR	DATE 08-02-2021 08-02-2021 08-02-2021	 50 High Street, West Mill, North Andover, MA 01845 USA. Phone: 1.800.341.5266 1.978.682.6936
	CONFIGURATION DETAILS OF UNDIMENSIONED FEATURES MAY VARY COLOR VARIATIONS MAY OCCUR	CATEGORY <b>FIBER OPTICS</b>	
THIRD-ANGLE PROJECTION 	SIZE <b>A</b> CAGE CODE <b>43321</b> SCALE: NONE	ITEM NO. <b>FOAE2KAPCG</b> CAD FILE: FOAE2KAPCG.SLDDRW	REV. <b>A</b> SHEET 1 OF 1