

6

5

4

3

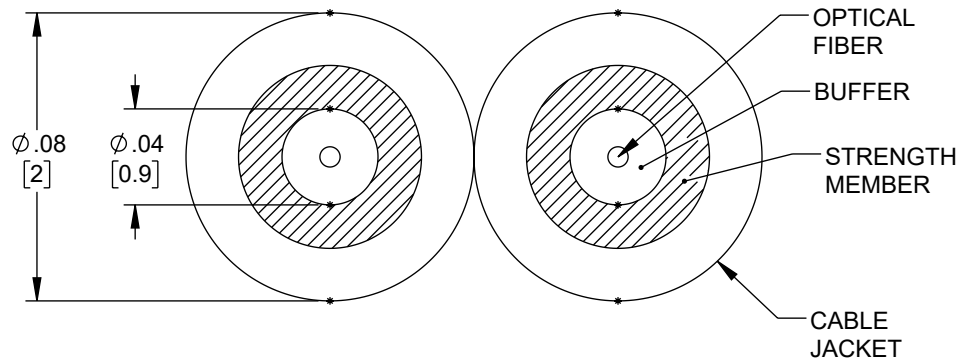
2

1

FIBER TYPE	MULTIMODE - OM3
CORE DIAMETER	50 μ m
CLADDING DIAMETER	125 μ m
CABLE (O.D.) (mm)	2.0 * 4.1
CABLE THICKNESS (mm)	0.3 \pm 0.05
CABLE MATERIAL	OFNP
BUFFER (O.D.) (mm)	0.87 \pm 0.05
BUFFER MATERIAL	PVC

WAVELENGTH:	850/1300nm FIBER TYPE	850/1300nm MAXIMUM
ATTENUATION	3.0/1.0 dB/km	3.5/1.5 dB/km
OFL BANDWIDTH (MHz.km)	\geq 500/500	
EFFECTIVE MODER (MHz.km)	N.A.	
10G ETHERNET SX (M)	N.A.	
STRENGTH MEMBERS	ARAMID YARN	
JACKET SHRINKAGE	\leq 5%(2H BAKE AT 85°C \pm 2°C)	

REVISION					
ZONE	REV	DESCRIPTION	DATE	CHANGED BY	APPROVED
	A	INITIAL RELEASE	10/19/2023	PSRINIVAS	PHOSPODAR



MAX. TENSILE STRENGTH (N)	
SHORT TERM	150
LONG TERM	70

MIN. BEND RADIUS (mm)	
DYNAMIC	20X DIA.
STATIC	10X DIA.

MAX. CRUSH RESISTANCE (N/100mm)	
SHORT TERM	300
LONG TERM	100

NOTES:

1. BULK CABLE SHALL BE INDIVIDUALLY PACKAGED IN ACCORDANCE WITH L-COM SPECIFICATION PS-0031.

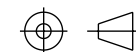
REGULATORY COMPLIANCE:
EU RoHS DIRECTIVE (MOST RECENT RELEASED VERSION)

THE INFORMATION CONTAINED IN THIS DRAWING IS THE SOLE PROPERTY OF INFINITE ELECTRONICS, INC. ANY REPRODUCTION IN PART OR WHOLE WITHOUT THE WRITTEN PERMISSION OF INFINITE ELECTRONICS, INC. IS PROHIBITED. THESE COMMODITIES, TECHNOLOGY OR SOFTWARE WERE EXPORTED FROM THE UNITED STATES IN ACCORDANCE WITH THE EXPORT ADMINISTRATION REGULATIONS. DIVERSION CONTRARY TO U.S. LAW PROHIBITED.

UNLESS OTHERWISE SPECIFIED LEADING DIMENSIONS ARE INCHES DIMENSIONS IN [] ARE MILLIMETERS	
TOLERANCES:	
X = \pm 2 [5]	FRACTIONS \pm 1/32
.XX = \pm 0.02 [0.5]	ANGLES \pm 1°
.XXX = \pm 0.005 [0.13]	
CABLE LENGTH TOLERANCES:	
\leq 12 [305]	= +1 [25] / -0
>12 [305] \leq 60 [1524]	= +2 [51] / -0
>60 [1524] \leq 120 [3048]	= +4 [102] / -0
>120 [3048] \leq 300 [7620]	= +6 [152] / -0
>300 [7620]	= +5% / -0
ALL DIMENSIONS ARE FOR REFERENCE ONLY AND SUBJECT TO CHANGE WITHOUT NOTICE. UN-DIMENSIONED/NON-CRITICAL FEATURES MAY VARY IN SIZE AND LOCATION. COLORS MAY VARY.	

L-com
an INFINIT[®] brand

Website: www.L-com.com
Phone: 1.800.341.5266 | 1.978.682.6936



INTERPRET ALL DIMENSIONS AND TOLERANCES PER ASME Y14.5

SCALE	SHEET
NONE	1 OF 1

DESCRIPTION
ROUND DUPLEX OPTICAL CABLE, 50/125 10GB OM3, PLENUM RATED, 2.0mm, CONTINUOUS RUN

SIZE	CAGE CODE	DRAWN BY	ITEM NO.	REV
A	43321	PSRINIVAS	FOB-2F2DM3P-M	A

6

5

4

3

2

1