

THE INFORMATION CONTAINED IN THIS DRAWING IS THE SOLE PROPERTY OF L-COM, INC. ANY REPRODUCTION IN PART OR WHOLE WITHOUT THE WRITTEN PERMISSION OF L-COM, INC. IS PROHIBITED.

REVISIONS			
REV	DESCRIPTION	DATE	APPROVED
A	INITIAL RELEASE	05/18/2022	PHOSPODAR

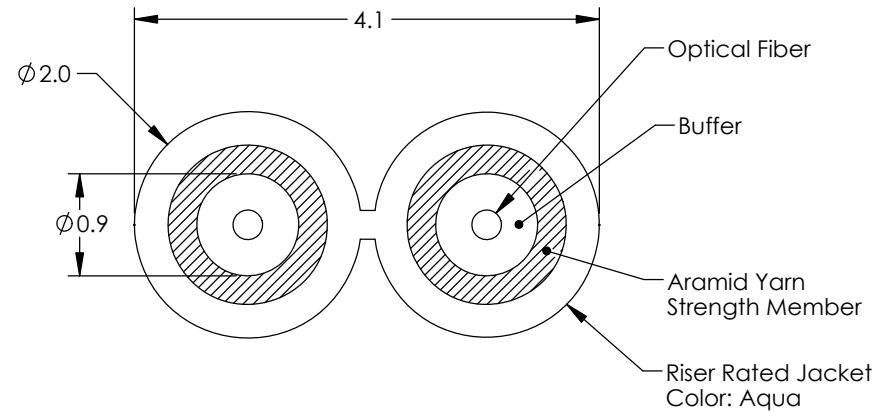
FIBER TYPE	MULTIMODE, OM4, DUPLEX, RISER
CORE DIAMETER	50 μ m
CLADDING DIAMETER	125 μ m
BUFFER	0.87 \pm 0.05

WAVELENGTH:	850/1300nm FIBER TYPE	850/1300nm MAXIMUM
ATTENUATION	3.0/1.0 dB/km	3.5/1.5 dB/km
OFL BANDWIDTH (MHz.km)	\geq 3500/500	
EFFECTIVE MODER (MHz.km) (850nm)	\geq 4700	
10G ETHERNET SX (M) (850nm)	\leq 550	

MAX. TENSILE STRENGTH (N)	
SHORT TERM	150
LONG TERM	70

MIN. BEND RADIUS (mm)	
DYNAMIC	20X DIA.
STATIC	10X DIA.

MAX. CRUSH RESISTANCE (N/100mm)	
SHORT TERM	300
LONG TERM	100




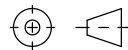
ALL DIMENSIONS IN mm, DRAWING NOT TO SCALE

NOTES:

- BULK CABLE SHALL BE INDIVIDUALLY PACKAGED IN ACCORDANCE WITH L-COM SPECIFICATION PS-0031.

REGULATORY COMPLIANCE:

EU RoHS DIRECTIVE (MOST RECENT RELEASED VERSION)

UNLESS OTHERWISE SPECIFIED, DIMENSIONS ARE IN INCHES [mm] OVERALL CABLE LENGTH TOLERANCE: ≤ 12 [305] = +1 [25] / -0 > 12 [305] ≤ 60 [1524] = +2 [51] / -0 > 60 [1524] ≤ 120 [3048] = +4 [102] / -0 > 120 [3048] ≤ 300 [7620] = +6 [152] / -0 > 300 [7620] = +5% / -0 ALL OTHER DIMENSIONAL TOLERANCES: .X = \pm .2 [5] FRACTIONS \pm 1/32 .XX = \pm .02 [.5] ANGLES \pm 1° .XXX = \pm .005 [.13]	APPROVALS	DATE	 50 High Street, West Mill, North Andover, MA 01845 USA. Phone: 1.800.341.5266 1.978.682.6936
	DRAWN BY DFRISIELLO	05/18/2022	
APPROVED BY PHOSPODAR	05/18/2022	CATEGORY FIBER OPTIC	
THIRD-ANGLE PROJECTION 	CONFIGURATION DETAILS OF UNDIMENSIONED FEATURES MAY VARY	PRODUCT DESCRIPTION Round Duplex Optical Cable, 50/125 40/100GB OM4, Riser Rated, 2.0mm	
COLOR VARIATIONS MAY OCCUR	SIZE A	CAGE CODE 43321	ITEM NO. FOB-2F2DM4R-M
SCALE: NONE		CAD FILE: FOB-2F2DM4R-M.SLDDRW	
SHEET 1 OF 1			REV. A