

8 7 6 5 4 3 2 1

THE INFORMATION CONTAINED IN THIS DRAWING IS THE SOLE PROPERTY OF L-COM, INC. ANY REPRODUCTION IN PART OR WHOLE WITHOUT THE WRITTEN PERMISSION OF L-COM, INC. IS PROHIBITED.

REVISIONS			
REV	DESCRIPTION	DATE	APPROVED
A	INITIAL RELEASE	02/24/2020	PHOSPODAR

FIBER TYPE	MULTIMODE, OM2, BEND INSENSITIVE
FIBER RATING	MIL TAC
CORE DIAMETER	50 μ m
CLADDING DIAMETER	125 μ m
PRIMARY COATING DIA. (UV CURED ACRYLATE)	245 μ m
SECONDARY BUFFER DIA. (HARD ELASTOMERIC)	900 μ m
NUMERICAL APERTURE	0.20
PROOF TEST LEVEL	100 kpsi

WAVELENGTH:	850 nm	1310 nm
GIGABYTE ETHERNET DISTANCE	600 m	600 m
10-GIGABYTE ETHERNET DISTANCE	82 m	300 m
MAXIMUM ATTENUATION	3.5 dB/km	1.5 dB/km
MINIMUM LASER BANDWIDTH	500 MHz-km	
MINIMUM OFL LED BANDWIDTH	500 MHz-km	

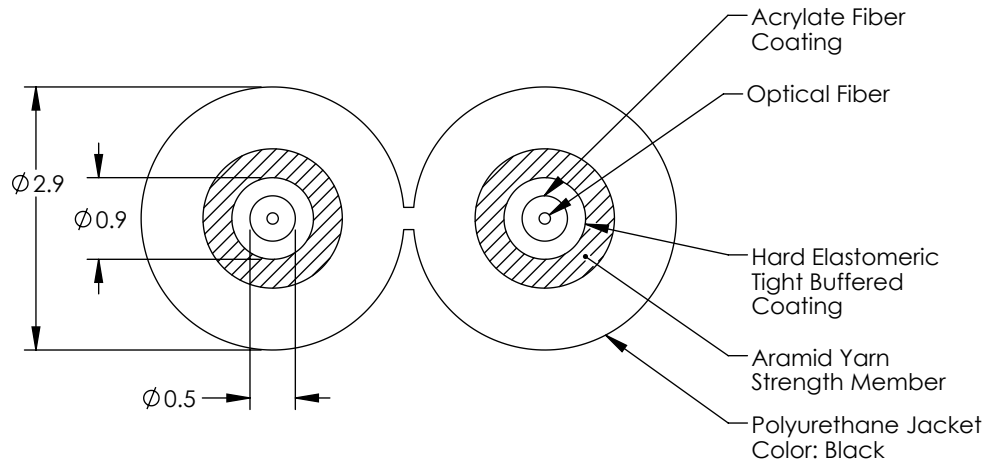
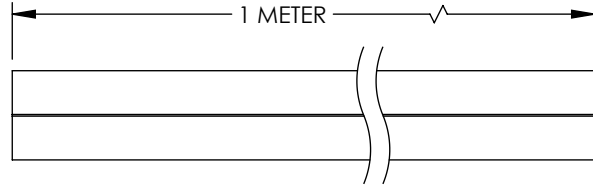
CABLE WEIGHT	18 kg/km (12 lbs/1000 ft)
CABLE DIAMETER	2.9 x 5.8 mm (0.11 x 0.23 in)

INSTALLATION:	
MAX TENSILE LOAD	1000 N (220 lbs)
MIN BEND RADIUS	5.0 cm (2.0 in)

OPERATING:	
MAX TENSILE LOAD	500 N (110 lbs)
MIN BEND RADIUS	3.0 cm (1.2 in)

IMPACT RESISTANCE	200 IMPACTS
CRUSH RESISTANCE	500 N/cm


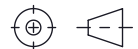
OPERATING TEMPERATURE	0°C TO +70°C
STORAGE TEMPERATURE	-40°C TO +85°C
INSTALLATION TEMPERATURE	0°C TO +60°C (actual temp. of cable)



ALL DIMENSIONS IN mm, DRAWING NOT TO SCALE

NOTES:

1. CABLE SHALL BE INDIVIDUALLY PACKAGED IN ACCORDANCE WITH L-COM SPECIFICATION PS-0031.

UNLESS OTHERWISE SPECIFIED, DIMENSIONS ARE IN INCHES (mm) OVERALL CABLE LENGTH TOLERANCE: ≤12 [305] = +1 [25] / -0 >12 [305] ≤60 [1524] = +2 [51] / -0 >60 [1524] ≤120 [3048] = +4 [102] / -0 >120 [3048] ≤300 [7620] = +6 [152] / -0 >300 [7620] = +5% / -0 ALL OTHER DIMENSIONAL TOLERANCES: .X = ± .2 [5] FRACTIONS ± 1/32 .XX = ± .02 [5] ANGLES ± 1° .XXX = ± .005 [13]	APPROVALS	DATE	 50 High Street, West Mill, North Andover, MA 01845 USA. Phone: 1.800.341.5266 1.978.682.6936
	DRAWN BY DZINN CHECKED BY DFRISIELLO APPROVED BY PHOSPODAR	02/24/2020 02/24/2020 02/24/2020	
THIRD-ANGLE PROJECTION 	CONFIGURATION DETAILS OF UNDIMENSIONED FEATURES MAY VARY COLOR VARIATIONS MAY OCCUR	PRODUCT DESCRIPTION 1M Interval OM2 (50/125) 3.0mm Duplex	SCALE: NONE CAD FILE: FOB30OM2TKZ-M.SLDDRW SHEET 1 OF 1
SIZE A CAGE CODE 43321 ITEM NO. FOB30OM2TKZ-M		REV. A	