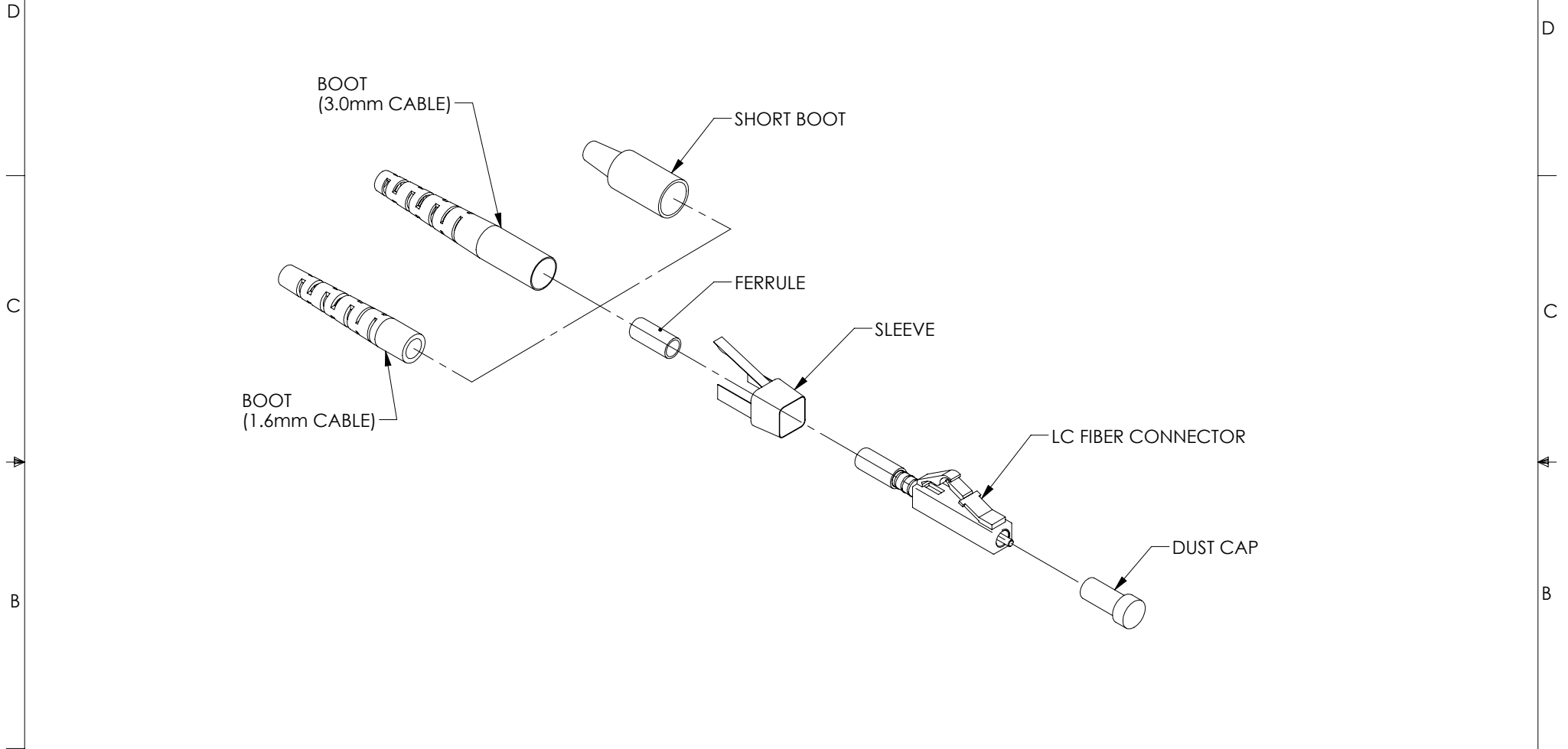


THE INFORMATION CONTAINED IN THIS DRAWING IS THE SOLE PROPERTY OF L-COM, INC. ANY REPRODUCTION IN PART OR WHOLE WITHOUT THE WRITTEN PERMISSION OF L-COM, INC. IS PROHIBITED.

RoHS Compliant ✓

REVISIONS			
REV	DESCRIPTION	DATE	APPROVED
A	INITIAL RELEASE	8/6/12	D.GRIFFIN



NOTES:

MATERIALS:
 CONNECTOR: ABS, BLACK
 SLEEVE: ABS, BLACK
 FERRULE: COPPER
 BOOTS: PVC, GRAY
 SHORT BOOT: PVC, BLACK

MISCELLANEOUS:
 LC CONNECTOR UTILIZES A "PC" POLISH.
 DUST CAPS ARE INSTALLED FOR SHIPPING.

UNLESS OTHERWISE SPECIFIED, DIMENSIONS ARE IN INCHES [mm] OVERALL CABLE LENGTH TOLERANCE: ≤12 [305] = +1 [25] / -0 >12 [305] ≤60 [1524] = +2 [51] / -0 >60 [1524] ≤120 [3048] = +4 [102] / -0 >120 [3048] ≤300 [7620] = +6 [152] / -0 >300 [7620] = +3% / -0% ALL OTHER DIMENSIONAL TOLERANCES: .X = ±.2 .XX = ±.02 .XXX = ±.005	APPROVALS DRAWN BY D.FRISIELLO	DATE 8/1/13	45 BEECHWOOD DRIVE NORTH ANDOVER, MA 01845
	CHECKED BY D.GALLAGHER APPROVED BY D.GALLAGHER	8/1/13 8/1/13	
PROJECTION 	CONFIGURATION DETAILS OF UNDIMENSIONED FEATURES MAY VARY	PRODUCT DESCRIPTION UNICAM LC CONN 50/125 MM	SCALE: NONE CAD FILE: FOC-9505099.SLDDRW SHEET 1 OF 1
COLOR VARIATIONS MAY OCCUR	SIZE A	FSCM NO. 43321	DWG. NO. FOC-9505099