

THE INFORMATION CONTAINED IN THIS DRAWING IS THE SOLE PROPERTY OF L-COM, INC. ANY REPRODUCTION IN PART OR WHOLE WITHOUT THE WRITTEN PERMISSION OF L-COM, INC. IS PROHIBITED.

| REVISION | | | | | |
|----------|-----|-----------------|------------|------------|-----------|
| ZONE | REV | DESCRIPTION | DATE | CHANGED BY | APPROVED |
| | A | INITIAL RELEASE | 09/13/2023 | AKRESOWSKI | PHOSPODAR |

CRIMP SLEEVE OPTIONS WITHOUT DUST CAP

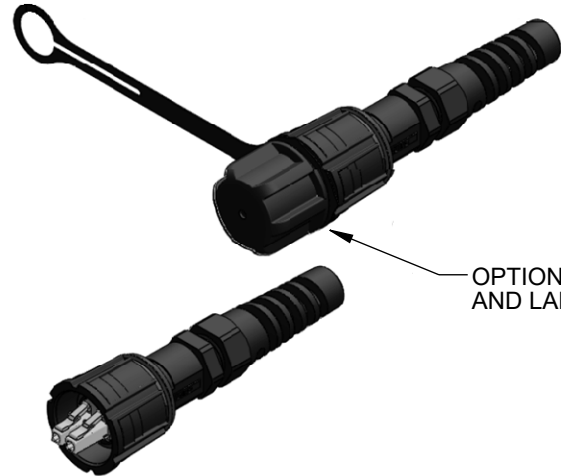
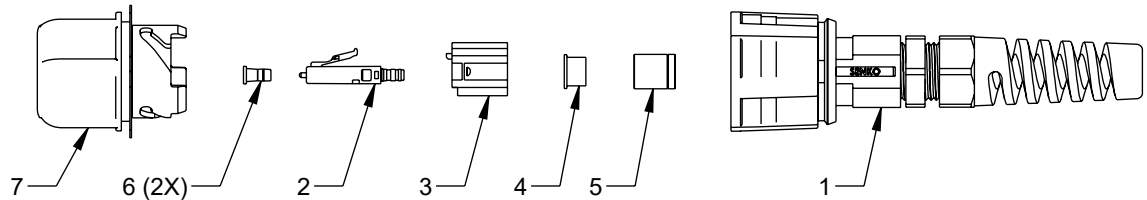
| CRIMP SET | 4.8 mm | 5.X mm | 6 mm | 7 mm |
|--------------------|----------------|----------------|----------------|----------------|
| FOR CABLE DIAMETER | 4.5-5.0 mm | 5.3-5.7 mm | 5.8-6.2 mm | 6.8-7.2 mm |
| MM BEIGE | FOC-IPLCMB-48N | FOC-IPLCMB-50N | FOC-IPLCMB-60N | FOC-IPLCMB-70N |
| MM AQUA | FOC-IPLCMM-48N | FOC-IPLCMM-50N | FOC-IPLCMM-60N | FOC-IPLCMM-70N |
| SM APC GREEN | FOC-IPLCSA-48N | FOC-IPLCSA-50N | FOC-IPLCSA-60N | FOC-IPLCSA-70N |
| SM PC BLUE | FOC-IPLCSM-48N | FOC-IPLCSM-50N | FOC-IPLCSM-60N | FOC-IPLCSM-70N |

CRIMP SLEEVE OPTIONS WITH DUST CAP

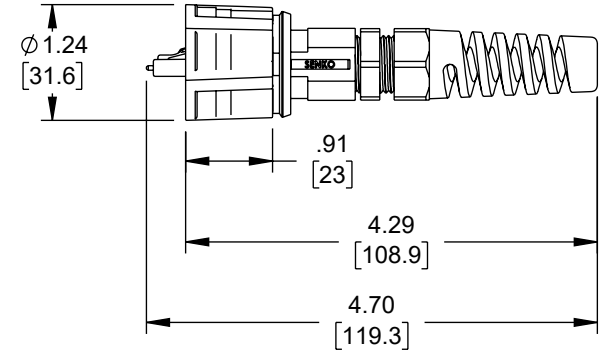
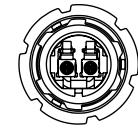
| CRIMP SET | 4.8 mm | 5.X mm | 6 mm | 7 mm |
|--------------------|----------------|----------------|----------------|----------------|
| FOR CABLE DIAMETER | 4.5-5.0 mm | 5.3-5.7 mm | 5.8-6.2 mm | 6.8-7.2 mm |
| MM BEIGE | FOC-IPLCMB-48D | FOC-IPLCMB-50D | FOC-IPLCMB-60D | FOC-IPLCMB-70D |
| MM AQUA | FOC-IPLCMM-48D | FOC-IPLCMM-50D | FOC-IPLCMM-60D | FOC-IPLCMM-70D |
| SM APC GREEN | FOC-IPLCSA-48D | FOC-IPLCSA-50D | FOC-IPLCSA-60D | FOC-IPLCSA-70D |
| SM PC BLUE | FOC-IPLCSM-48D | FOC-IPLCSM-50D | FOC-IPLCSM-60D | FOC-IPLCSM-70D |

CONNECTOR KIT INCLUDES:

1. IP68 CONNECTOR HOUSING WITH LOCKING RING
2. LC DUPLEX UNIBODY PLUG FRAME ASSEMBLY
3. IP LC CONNECTOR CLIP
4. IP BACK POST
5. IP CRIMP RING
6. LC STANDARD DUST CAP (OPTIONAL)
7. IP 68 CONNECTOR DUST CAP (OPTIONAL)



OPTIONAL DUST CAP AND LANYARD



REGULATORY COMPLIANCE:
EU RoHS DIRECTIVE (MOST RECENTLY RELEASED VERSION).

| | | | |
|---|---|---|---|
| <p>UNLESS OTHERWISE SPECIFIED, DIMENSIONS ARE IN INCHES [mm]</p> <p>OVERALL CABLE LENGTH TOLERANCE: ≤ 12 [305] = +1 [25] / -0 > 12 [305] ≤ 60 [1524] = +2 [51] / -0 > 60 [1524] ≤ 120 [3048] = +4 [102] / -0 > 120 [3048] ≤ 300 [7620] = +6 [152] / -0 > 300 [7620] = +5% / -0</p> <p>ALL OTHER DIMENSIONAL TOLERANCES: .X = $\pm .2$ [5] FRACTIONS $\pm 1/32$.XX = $\pm .02$ [.5] ANGLES $\pm 1^\circ$.XXX = $\pm .005$ [.13]</p> <p>THIRD-ANGLE PROJECTION</p> | <p>APPROVALS</p> <p>DRAWN BY AKRESOWSKI</p> <p>CHECKED BY REVANGELIS</p> <p>APPROVED BY PHOSPODAR</p> | <p>DATE</p> <p>09/13/2023</p> <p>09/13/2023</p> <p>09/13/2023</p> | <p>L-com an INFINITI[®] brand</p> <p>50 High Street, West Mill, North Andover, MA 01845 USA. Phone: 1.800.341.5266 1.978.682.6936</p> |
| | <p>CONFIGURATION DETAILS OF UNDIMENSIONED FEATURES MAY VARY</p> | | <p>CATEGORY</p> <p>FIBER OPTIC</p> |
| | <p>COLOR VARIATIONS MAY OCCUR</p> | | <p>PRODUCT DESCRIPTION</p> <p>IP68 ODVA COMPATIBLE LC CONNECTOR, DUPLEX</p> |
| | <p>SIZE</p> <p>A</p> | <p>CAGE CODE</p> <p>43321</p> | <p>ITEM NO.</p> <p>FOC-IPLCXX-XXX</p> |
| <p>SCALE: NONE</p> | | <p>CAD FILE: FOC-IPLCXX-XXX.SLDDRW</p> | <p>SHEET 1 OF 1</p> |