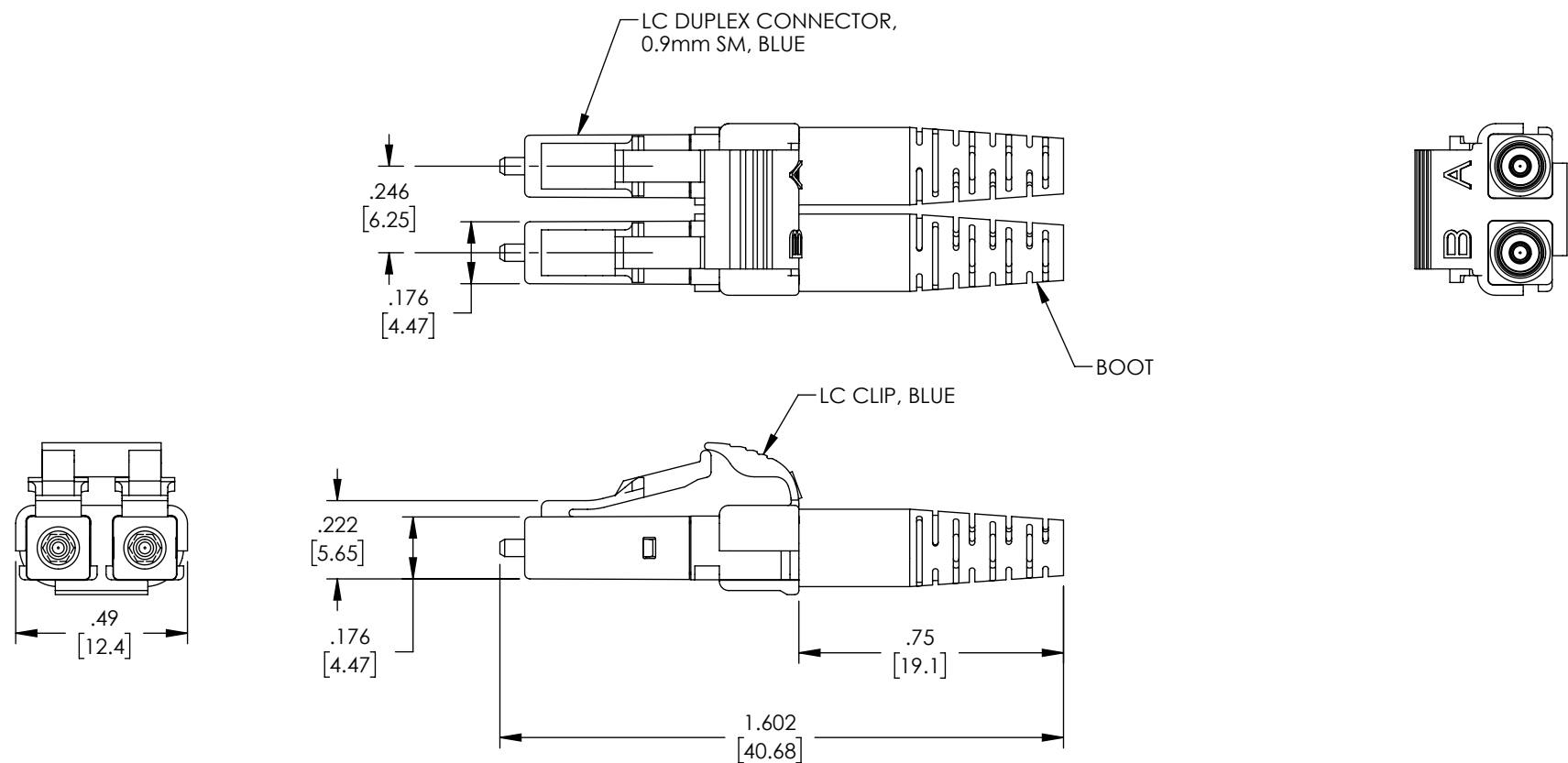

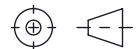


THE INFORMATION CONTAINED IN THIS DRAWING IS THE SOLE PROPERTY OF L-COM, INC. ANY REPRODUCTION IN PART OR WHOLE WITHOUT THE WRITTEN PERMISSION OF L-COM, INC. IS PROHIBITED.

| REVISIONS | | | |
|-----------|-----------------|------------|-----------|
| REV | DESCRIPTION | DATE | APPROVED |
| A | INITIAL RELEASE | 04/26/2021 | PHOSPODAR |
| | | | |
| | | | |



- NOTES:
1. ALL DIMENSIONS ARE FOR REFERENCE ONLY.
 2. CONNECTOR INCLUDES 2 DUST CAPS (NOT SHOWN).
 3. CONNECTOR ASSEMBLY SHALL BE INDIVIDUALLY PACKAGED IN ACCORDANCE WITH L-COM SPECIFICATION PS-0031.

| | | | |
|--|--|---|---|
| UNLESS OTHERWISE SPECIFIED, DIMENSIONS ARE IN INCHES [mm] OVERALL CABLE LENGTH TOLERANCE: ≤12 [305] = +1 [25] / -0 >12 [305] ≤60 [1524] = +2 [51] / -0 >60 [1524] ≤120 [3048] = +4 [102] / -0 >120 [3048] ≤300 [7620] = +6 [152] / -0 >300 [7620] = +5% / -0 ALL OTHER DIMENSIONAL TOLERANCES: .X = ± .2 [5] FRACTIONS ± 1/32 .XX = ± .02 [5] ANGLES ± 1° .XXX = ± .005 [13] | APPROVALS | DATE |  50 High Street, West Mill, North Andover, MA 01845 USA. Phone: 1.800.341.5266 1.978.682.6936 |
| | DRAWN BY DZINN | 04/26/2021 | |
| APPROVED BY PHOSPODAR | 04/26/2021 | CATEGORY FIBER OPTIC | |
| THIRD-ANGLE PROJECTION  | CONFIGURATION DETAILS OF UNDIMENSIONED FEATURES MAY VARY | PRODUCT DESCRIPTION FIBER CONNECTOR, LC DUPLEX, FOR 0.9MM SMF, BLUE, SHORT BOOT | |
| COLOR VARIATIONS MAY OCCUR | SIZE A | CAGE CODE 43321 | ITEM NO. FOC-LCSM0209-0S00 |
| SCALE: NONE | | CAD FILE: FOC-LCSM0209-0S00.SLDDRW | SHEET 1 OF 1 |