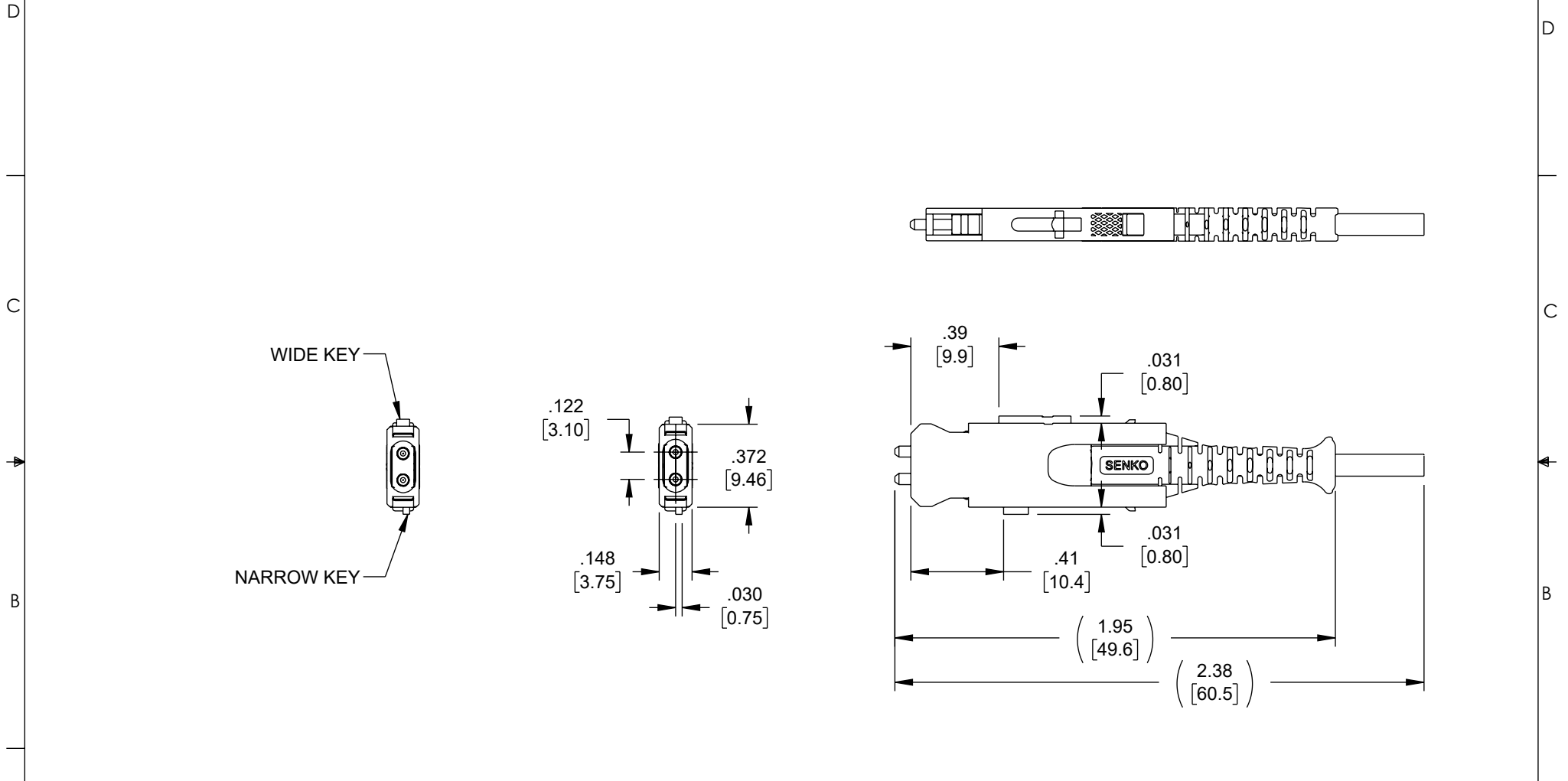


THE INFORMATION CONTAINED IN THIS DRAWING IS THE SOLE PROPERTY OF L-COM, INC. ANY REPRODUCTION IN PART OR WHOLE WITHOUT THE WRITTEN PERMISSION OF L-COM, INC. IS PROHIBITED.


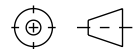
REVISION					
ZONE	REV	DESCRIPTION	DATE	CHANGED BY	APPROVED
	A	INITIAL RELEASE	08/16/2023	DZINN	PHOSPODAR



**NOTES:**

- CONNECTOR SUPPLIED WITH DUST CAP INSTALLED WHICH IS NOT SHOWN.
- CONNECTOR SHALL BE INDIVIDUALLY PACKAGED IAW L-COM SPECIFICATION PS-0031.

**REGULATORY COMPLIANCE:**  
EU RoHS DIRECTIVE (MOST RECENT RELEASED VERSION)

UNLESS OTHERWISE SPECIFIED, DIMENSIONS ARE IN INCHES [mm]  OVERALL CABLE LENGTH TOLERANCE: ≤12 [305] = +1 [25] / -0 >12 [305] ≤60 [1524] = +2 [51] / -0 >60 [1524] ≤120 [3048] = +4 [102] / -0 >120 [3048] ≤300 [7620] = +6 [152] / -0 >300 [7620] = +5% / -0  ALL OTHER DIMENSIONAL TOLERANCES: .X = ± .2 [5]      FRACTIONS ± 1/32 .XX = ± .02 [.5]      ANGLES ± 1° .XXX = ± .005 [.13]	APPROVALS DRAWN BY DZINN	DATE 08/16/2023	 an INFINITI® brand	50 High Street, West Mill, North Andover, MA 01845 USA. Phone: 1.800.341.5266 1.978.682.6936	
	CHECKED BY KGLEBOVA	DATE 08/16/2023			CATEGORY FIBER OPTIC
THIRD-ANGLE PROJECTION 	APPROVED BY JJOHNSTON	DATE 08/16/2023	PRODUCT DESCRIPTION SN CONN (2F), MULTIMODE FIBER, UPC POLISH, 2.0mm CABLE		
	CONFIGURATION DETAILS OF UNDIMENSIONED FEATURES MAY VARY	COLOR VARIATIONS MAY OCCUR	SIZE A	CAGE CODE 43321	ITEM NO. FOC-SNMU-205
			SCALE: NONE	CAD FILE: FOC-SNMU-205.SLDRW	SHEET 1 OF 1