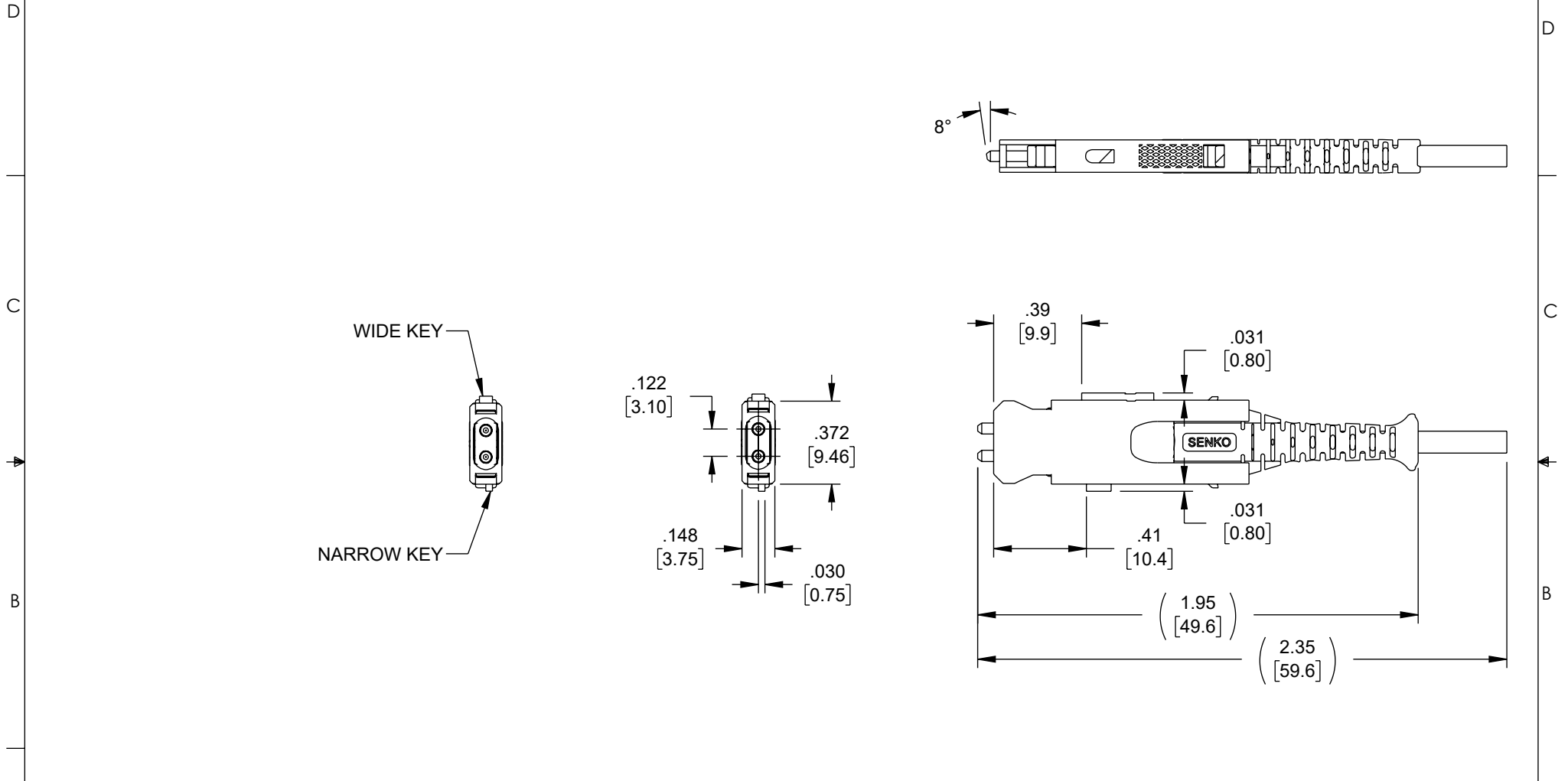


THE INFORMATION CONTAINED IN THIS DRAWING IS THE SOLE PROPERTY OF L-COM, INC. ANY REPRODUCTION IN PART OR WHOLE WITHOUT THE WRITTEN PERMISSION OF L-COM, INC. IS PROHIBITED.

REVISION					
ZONE	REV	DESCRIPTION	DATE	CHANGED BY	APPROVED
	A	INITIAL RELEASE	08/16/2023	DZINN	PHOSPODAR



**NOTES:**

- CONNECTOR SUPPLIED WITH DUST CAP INSTALLED WHICH IS NOT SHOWN.
- CONNECTOR SHALL BE INDIVIDUALLY PACKAGED IAW L-COM SPECIFICATION PS-0031.

**REGULATORY COMPLIANCE:**  
EU RoHS DIRECTIVE (MOST RECENT RELEASED VERSION)

<p>UNLESS OTHERWISE SPECIFIED, DIMENSIONS ARE IN INCHES [mm]</p> <p>OVERALL CABLE LENGTH TOLERANCE:            ≤12 [305] = +1 [25] / -0            &gt;12 [305] ≤60 [1524] = +2 [51] / -0            &gt;60 [1524] ≤120 [3048] = +4 [102] / -0            &gt;120 [3048] ≤300 [7620] = +6 [152] / -0            &gt;300 [7620] = +5% / -0</p> <p>ALL OTHER DIMENSIONAL TOLERANCES:            .X = ± .2 [5]   FRACTIONS ± 1/32            .XX = ± .02 [.5]   ANGLES ± 1°            .XXX = ± .005 [.13]</p> <p>THIRD-ANGLE PROJECTION</p>	<p>APPROVALS</p> <p>DRAWN BY DZINN</p> <p>CHECKED BY KGLEBOVA</p> <p>APPROVED BY JJOHNSTON</p>	<p>DATE</p> <p>08/16/2023</p> <p>08/16/2023</p> <p>08/16/2023</p>	<p><b>L-com</b> an INFINITI® brand</p> <p>50 High Street, West Mill, North Andover, MA 01845 USA. Phone: 1.800.341.5266 1.978.682.6936</p>
	<p>CONFIGURATION DETAILS OF UNDIMENSIONED FEATURES MAY VARY</p>		<p>CATEGORY</p> <p>FIBER OPTIC</p>
	<p>COLOR VARIATIONS MAY OCCUR</p>		<p>PRODUCT DESCRIPTION</p> <p>SN CONN (2F), SINGLE MODE FIBER, APC POLISH, 1.6mm CABLE</p>
	<p>SIZE</p> <p>A</p>	<p>CAGE CODE</p> <p>43321</p>	<p>ITEM NO.</p> <p>FOC-SNSA-166</p>
<p>SCALE: NONE</p>		<p>CAD FILE: FOC-SNSA-166.SLDDRW</p>	<p>SHEET 1 OF 1</p>