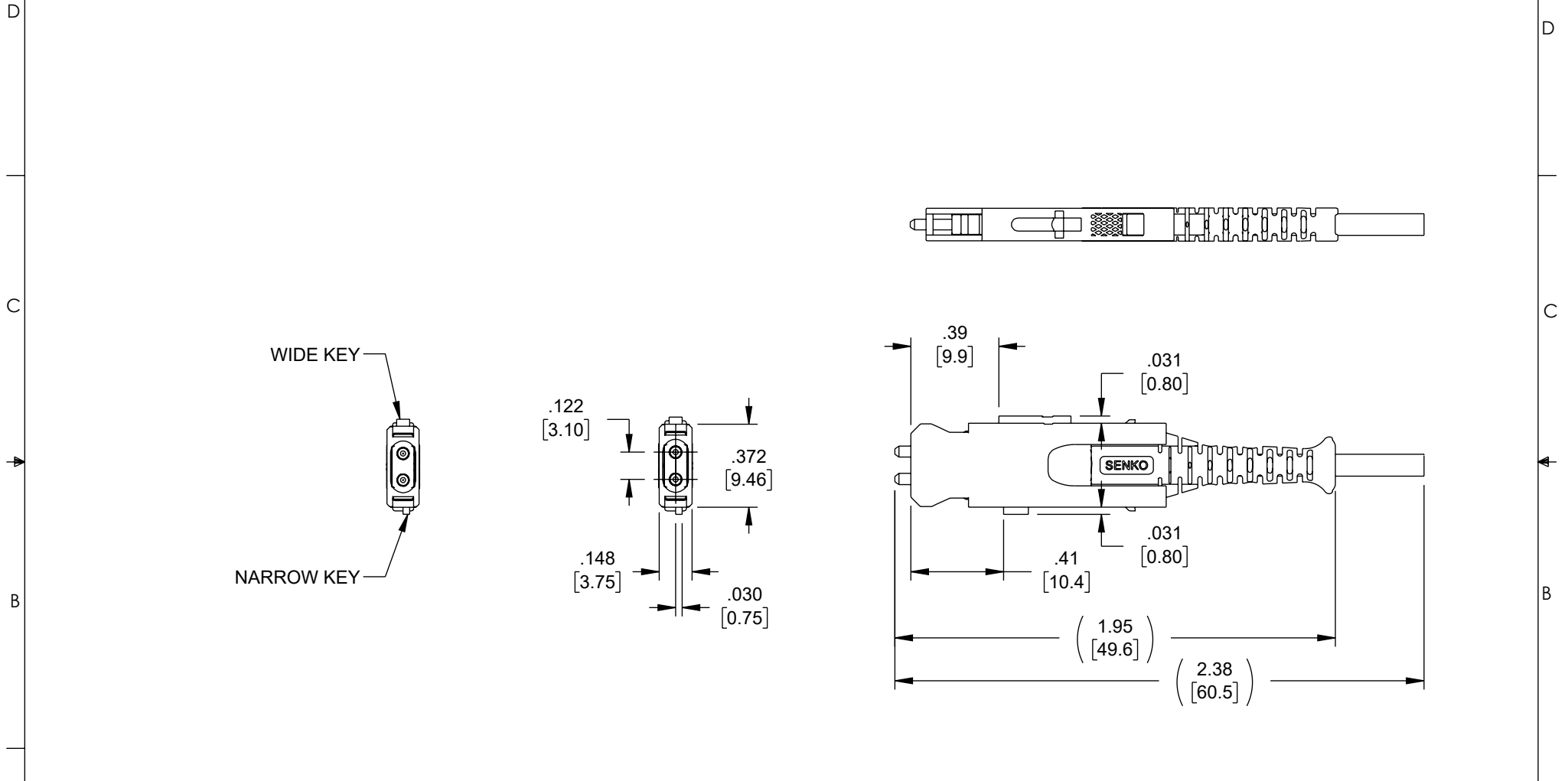


THE INFORMATION CONTAINED IN THIS DRAWING IS THE SOLE PROPERTY OF L-COM, INC. ANY REPRODUCTION IN PART OR WHOLE WITHOUT THE WRITTEN PERMISSION OF L-COM, INC. IS PROHIBITED.


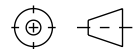
| REVISION | | | | | |
|----------|-----|-----------------|------------|------------|-----------|
| ZONE | REV | DESCRIPTION | DATE | CHANGED BY | APPROVED |
| | A | INITIAL RELEASE | 08/16/2023 | DZINN | PHOSPODAR |



NOTES:

- CONNECTOR SUPPLIED WITH DUST CAP INSTALLED WHICH IS NOT SHOWN.
- CONNECTOR SHALL BE INDIVIDUALLY PACKAGED IAW L-COM SPECIFICATION PS-0031.

REGULATORY COMPLIANCE:
EU RoHS DIRECTIVE (MOST RECENT RELEASED VERSION)

| | | | | |
|--|--|--|--|---|
| UNLESS OTHERWISE SPECIFIED, DIMENSIONS ARE IN INCHES [mm] OVERALL CABLE LENGTH TOLERANCE: ≤12 [305] = +1 [25] / -0 >12 [305] ≤60 [1524] = +2 [51] / -0 >60 [1524] ≤120 [3048] = +4 [102] / -0 >120 [3048] ≤300 [7620] = +6 [152] / -0 >300 [7620] = +5% / -0 ALL OTHER DIMENSIONAL TOLERANCES: .X = ± .2 [5] FRACTIONS ± 1/32 .XX = ± .02 [.5] ANGLES ± 1° .XXX = ± .005 [.13] | APPROVALS DRAWN BY: DZINN CHECKED BY: KGLEBOVA APPROVED BY: JJOHNSTON | DATE 08/16/2023 08/16/2023 08/16/2023 |  an INFINIT® brand | 50 High Street, West Mill, North Andover, MA 01845 USA. Phone: 1.800.341.5266 1.978.682.6936 |
| | CONFIGURATION DETAILS OF UNDIMENSIONED FEATURES MAY VARY COLOR VARIATIONS MAY OCCUR | CATEGORY FIBER OPTIC | PRODUCT DESCRIPTION SN CONN (2F), SINGLE MODE FIBER, UPC POLISH, 2.0mm CABLE | |
| THIRD-ANGLE PROJECTION  | SIZE A | CAGE CODE 43321 | ITEM NO. FOC-SNSU-201 | REV. A |
| SCALE: NONE | | CAD FILE: FOC-SNSU-201.SLDDRW | | SHEET 1 OF 1 |