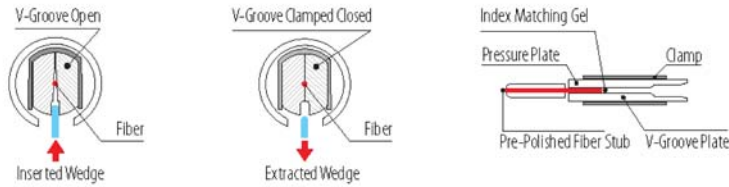


THE INFORMATION CONTAINED IN THIS DRAWING IS THE SOLE PROPERTY OF L-COM, INC.. ANY REPRODUCTION IN PART OR WHOLE WITHOUT THE WRITTEN PERMISSION OF L-COM, INC. IS PROHIBITED.

REVISIONS			
REV	DESCRIPTION	DATE	APPROVED
A	INITIAL RELEASE	9/30/13	D.FRISIELLO
B	ECN 8057: REMOVED NOTE 2, REVISED NOTE 1 AND ROHS	8/18/15	D.FRISIELLO

### ASSEMBLY PROCEDURE

- NO EPOXY
- NO POLISHING



SPECIFICATION	SINGLEMODE	MULTIMODE
INSERTION LOSS	0.2dB (PC) & 0.3dB (APC)	0.1dB
RETURN LOSS	55dB (PC) & 60dB (APC)	35dB
DURABILITY	<0.1dB CHANGE, 500 MATINGS	
OPERATING TEMP.	-40°C TO +75°C (-40°F TO +167°F)	
TENSILE	TIA/EIA 568-B.3	
INTERMATEABILITY	IEC 61754-4	

MODEL NUMBER	DESCRIPTION	HOUSING COLOR	BOOT COLOR	QUANTITY
FOC-XPF-SC-MMAQ	50/125 SC CONNECTOR OM3 MULTIMODE 10G 900µm/250µm	AQUA	WHITE	12 PER BAG
FOC-XPF-SC-MMBG	62.5/125 SC CONNECTOR OM1 MULTIMODE 900µm/250µm	BEIGE	WHITE	12 PER BAG
FOC-XPF-SC-MMBK	50/125 SC CONNECTOR OM2 MULTIMODE 900µm/250µm	BLACK	WHITE	12 PER BAG
FOC-XPF-SC-SMBL	9/125 SC CONNECTOR OS1 SINGLE MODE 900µm/250µm	BLUE	WHITE	12 PER BAG



#### NOTES:

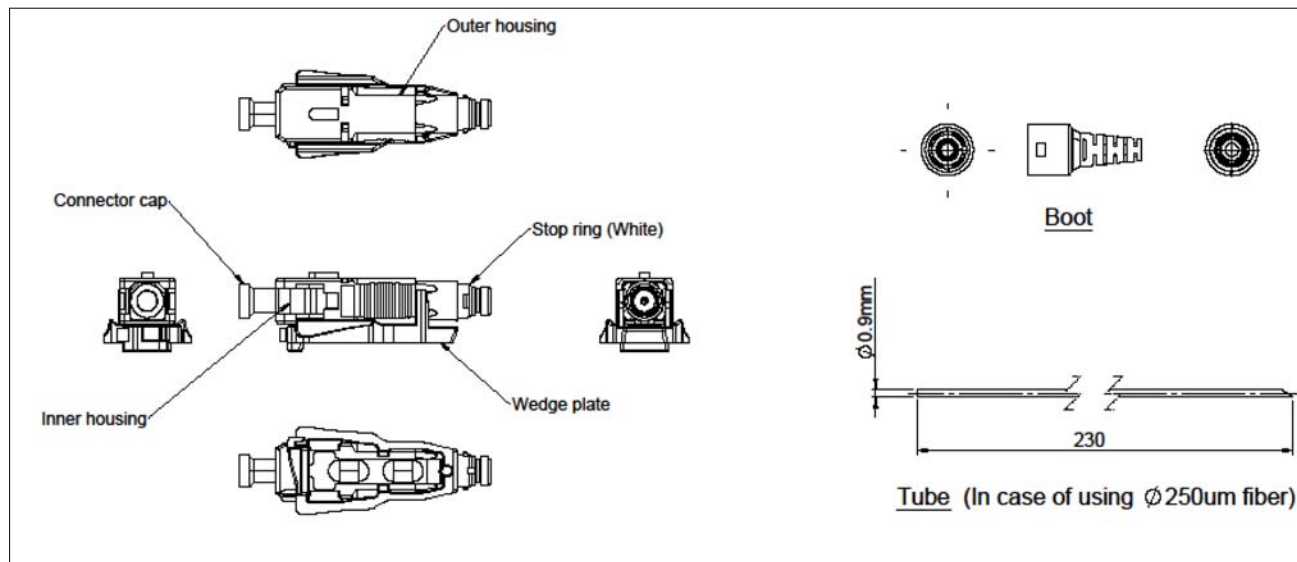
- EACH BOX OF 12 INCLUDE 1 JIG PLATE & FIBER HOLDER.

**REGULATORY COMPLIANCE:**  
CE2011/65/EU (RoHS DIRECTIVE)

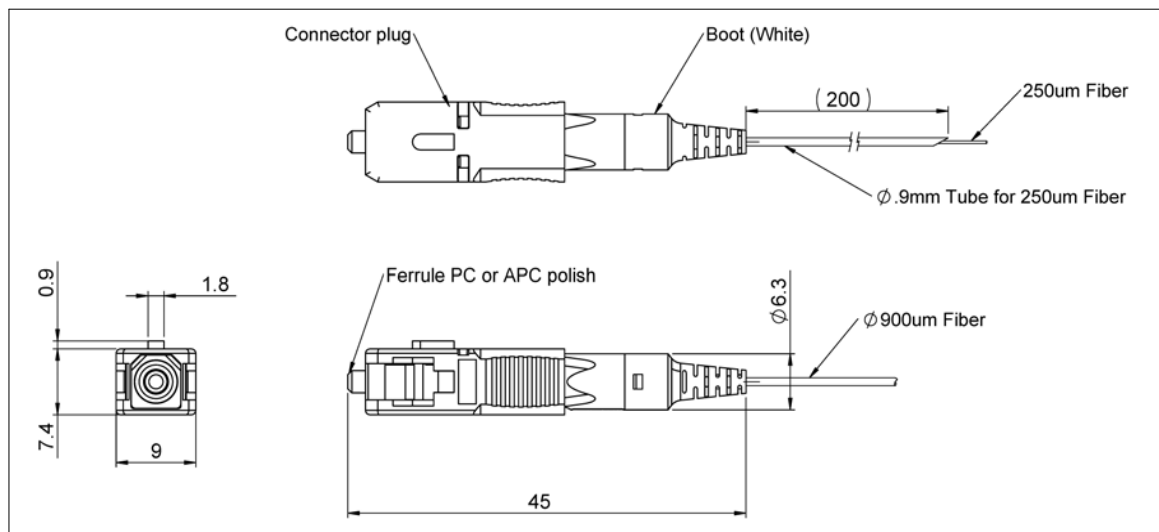
UNLESS OTHERWISE SPECIFIED, DIMENSIONS ARE IN INCHES [mm] OVERALL CABLE LENGTH TOLERANCE: ≤12 [305] = +1 [25] / -0 >12 [305] ≤60 [1524] = +2 [51] / -0 >60 [1524] ≤120 [3048] = +4 [102] / -0 >120 [3048] ≤300 [7620] = +6 [152] / -0 >300 [7620] = +5% / -0%	APPROVALS	DATE			45 BEECHWOOD DRIVE NORTH ANDOVER, MA 01845	
	DRAWN BY D.FRISIELLO	9/26/13			CATEGORY	FIBER OPTICS
ALL OTHER DIMENSIONAL TOLERANCES: .X = ± .2 [5.08] .XX = ± .02 [1.51] .XXX = ± .005 [1.13]	CHECKED BY D.GUITADAURO	9/26/13	PRODUCT DESCRIPTION XPFIT SC CONN W/JIG PLATE AND FIBER HOLDER			
	APPROVED BY D.GALLAGHER	9/26/13	CONFIGURATION DETAILS OF UNDIMENSIONED FEATURES MAY VARY	SIZE <b>A</b>	FSCM NO. <b>43321</b>	DWG. NO. <b>FOC-XPF-SC</b>
PROJECTION 	COLOR VARIATIONS MAY OCCUR	SCALE: NONE	CAD FILE: FOC-XPF-SC.SLDDRW	REV. <b>B</b>	SHEET 1 OF 3	

THE INFORMATION CONTAINED IN THIS DRAWING IS THE SOLE PROPERTY OF L-COM, INC. ANY REPRODUCTION IN PART OR WHOLE WITHOUT THE WRITTEN PERMISSION OF L-COM, INC. IS PROHIBITED.

XPFIT PLUS SC CONNECTOR 250/900μm (BEFORE ASSEMBLY)



XPFIT PLUS SC CONNECTOR 250/900μm (AFTER ASSEMBLY)



**L-com** Global Connectivity 45 BEECHWOOD DRIVE  
NORTH ANDOVER, MA 01845

CATEGORY FIBER OPTICS

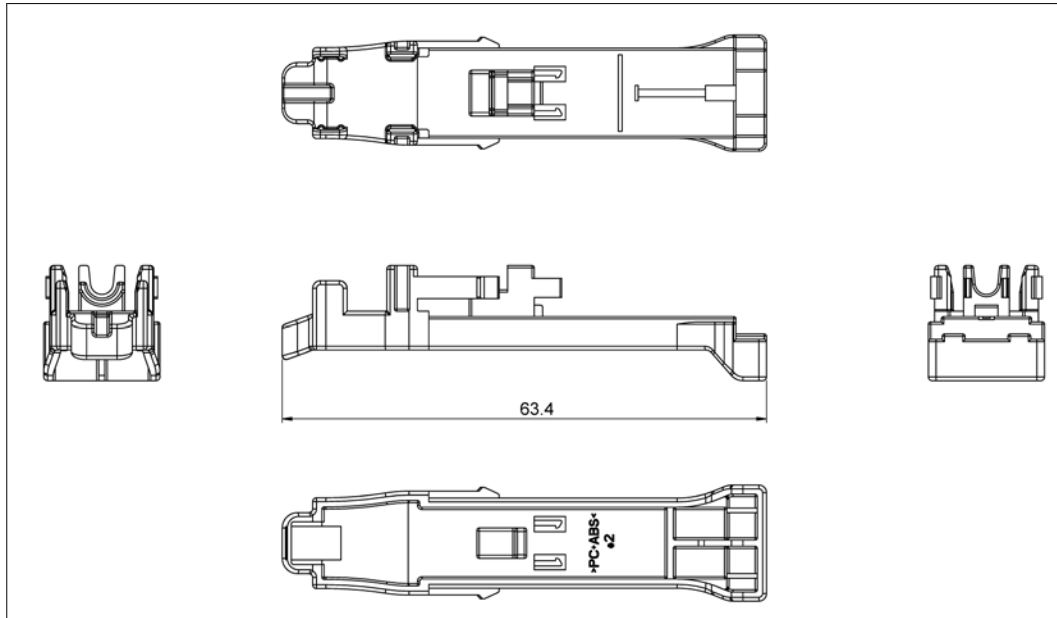
PRODUCT DESCRIPTION XPFIT SC CONN W/JIG PLATE AND FIBER HOLDER

SIZE <b>A</b>	FSCM NO. <b>43321</b>	DWG. NO. <b>FOC-XPF-SC</b>	REV. <b>B</b>
------------------	--------------------------	-------------------------------	------------------

SCALE: NONE CAD FILE: FOC-XPF-SC.SLDDRW SHEET 2 OF 3

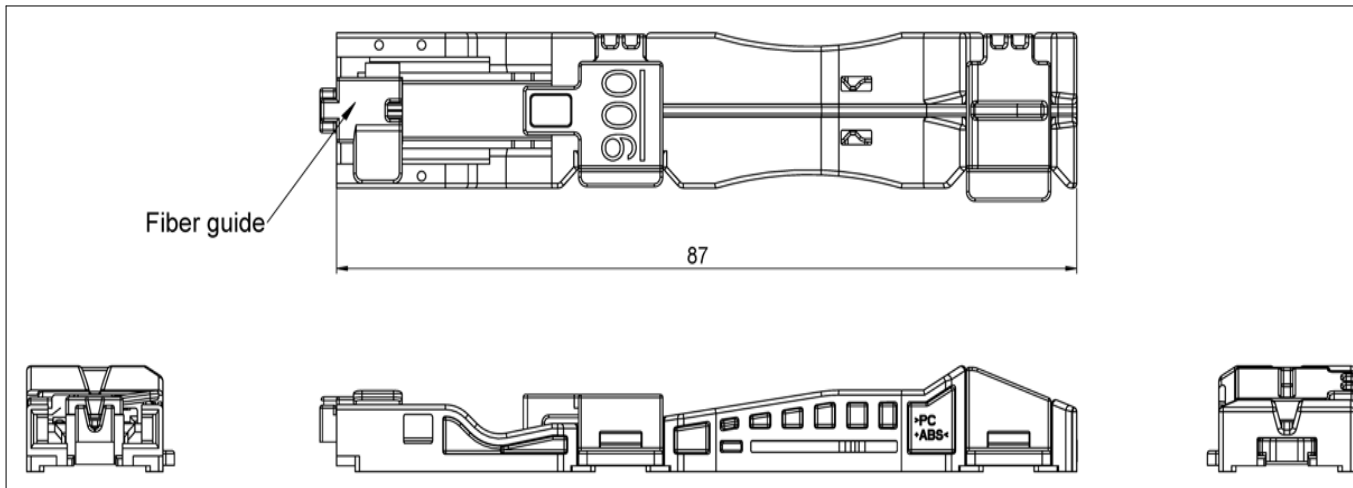
THE INFORMATION CONTAINED IN THIS DRAWING IS THE SOLE PROPERTY OF L-COM, INC. ANY REPRODUCTION IN PART OR WHOLE WITHOUT THE WRITTEN PERMISSION OF L-COM, INC. IS PROHIBITED.

### ASSEMBLY GUIDE JIG PLATE FOR SC CONNECTOR



### FIBER HOLDER FOR 900μm FIBER

NOTE: USED FOR 900um FIBER WITH TUBE FOR 250um FIBER



<b>L-com</b> Global Connectivity		45 BEECHWOOD DRIVE NORTH ANDOVER, MA 01845	
CATEGORY			
FIBER OPTICS			
PRODUCT DESCRIPTION			
XPFIT SC CONN W/JIG PLATE AND FIBER HOLDER			
SIZE <b>A</b>	FSCM NO. <b>43321</b>	DWG. NO. <b>FOC-XPF-SC</b>	REV. <b>B</b>
SCALE: NONE		CAD FILE: FOC-XPF-SC.SLDDRW	
		SHEET 3 OF 3	