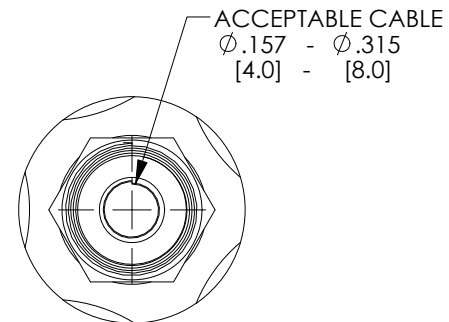
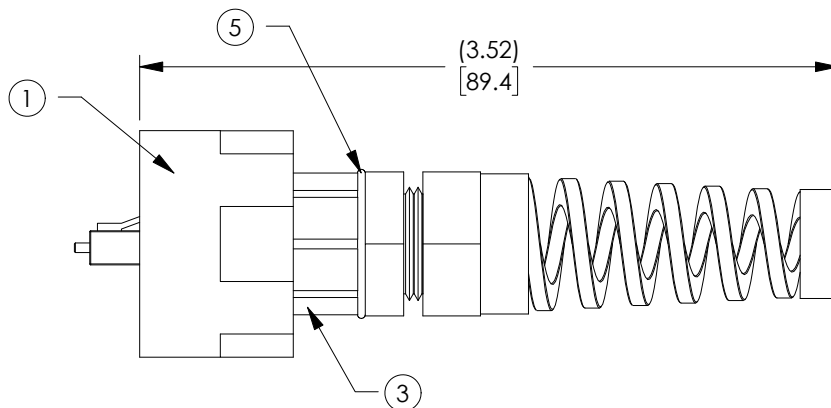
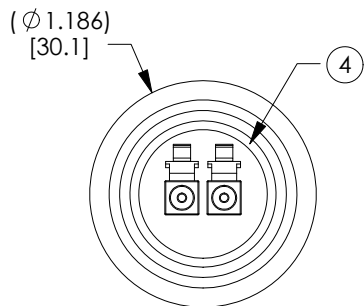
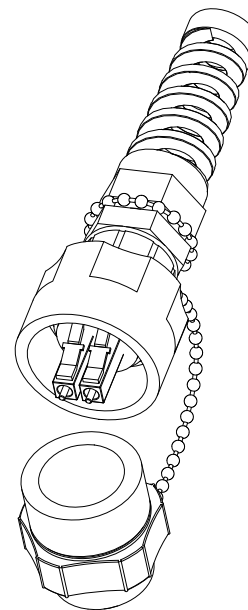
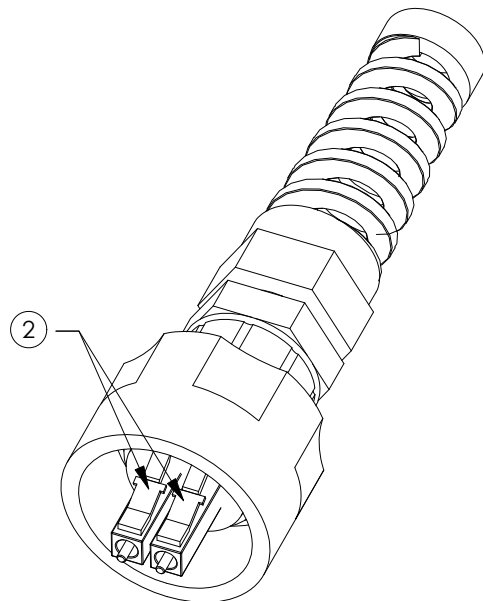


THE INFORMATION CONTAINED IN THIS DRAWING IS THE SOLE PROPERTY OF L-COM, INC. ANY REPRODUCTION IN PART OR WHOLE WITHOUT THE WRITTEN PERMISSION OF L-COM, INC. IS PROHIBITED.

REVISIONS			
REV	DESCRIPTION	DATE	APPROVED
A	INITIAL RELEASE	07/18/2017	JYOU
B	ECN 11162: DELETE NOTES 2 & 3. REVISE FORMAT AND CHART	05/26/2021	PHOSPODAR

ITEM NO	DESCRIPTION	QTY
1	COLLAR NUT	1
2	LC CONNECTOR	2
3	LC CONNECYOR HOUSING	1
4	COMPRESSION SEAL	1
5	O-RING	1

B




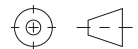
B

**NOTES:**

1. MATERIAL: COLLAR NUT, CONNECTOR HOUSING - GLASS FILLED PBT.

**REGULATORY COMPLIANCE:**  
EU RoHS DIRECTIVE (MOST RECENT RELEASED VERSION)

B

UNLESS OTHERWISE SPECIFIED, DIMENSIONS ARE IN INCHES [mm]  OVERALL CABLE LENGTH TOLERANCE: ≤12 [305] = +1 [25] / -0 >12 [305] ≤60 [1524] = +2 [51] / -0 >60 [1524] ≤120 [3048] = +4 [102] / -0 >120 [3048] ≤300 [7620] = +6 [152] / -0 >300 [7620] = +5% / -0  ALL OTHER DIMENSIONAL TOLERANCES: .X = ± .2 [5]   FRACTIONS ± 1/32 .XX = ± .02 [.5]   ANGLES ± 1° .XXX = ± .005 [.13]	APPROVALS	DATE	 50 High Street, West Mill, North Andover, MA 01845 USA. Phone: 1.800.341.5266 1.978.682.6936	
	DRAWN BY JYOU	07/18/2017		CATEGORY  <b>FIBER OPTICS</b>
	CHECKED BY PNEWTON	07/18/2017		
	APPROVED BY PNEWTON	07/18/2017		
THIRD-ANGLE PROJECTION	CONFIGURATION DETAILS OF UNDIMENSIONED FEATURES MAY VARY	COLOR VARIATIONS MAY OCCUR	PRODUCT DESCRIPTION  <b>INDUSTRIAL DUPLEX LC CNCTOR SM</b>	
	SIZE <b>A</b>	CAGE CODE <b>43321</b>	ITEM NO. <b>FOC-XPLC2-SM</b>	
SCALE: NONE	CAD FILE: FOC-XPLC2-SM.SLDDRW	SHEET 1 OF 1	REV. <b>B</b>	