

THE INFORMATION CONTAINED IN THIS DRAWING IS THE SOLE PROPERTY OF L-COM, INC. ANY REPRODUCTION IN PART OR WHOLE WITHOUT THE WRITTEN PERMISSION OF L-COM, INC. IS PROHIBITED.

REVISIONS			
REV.	DESCRIPTION	DATE	APPROVED
A	INITIAL RELEASE	01/18/2022	PHOSPODAR

D

D

C

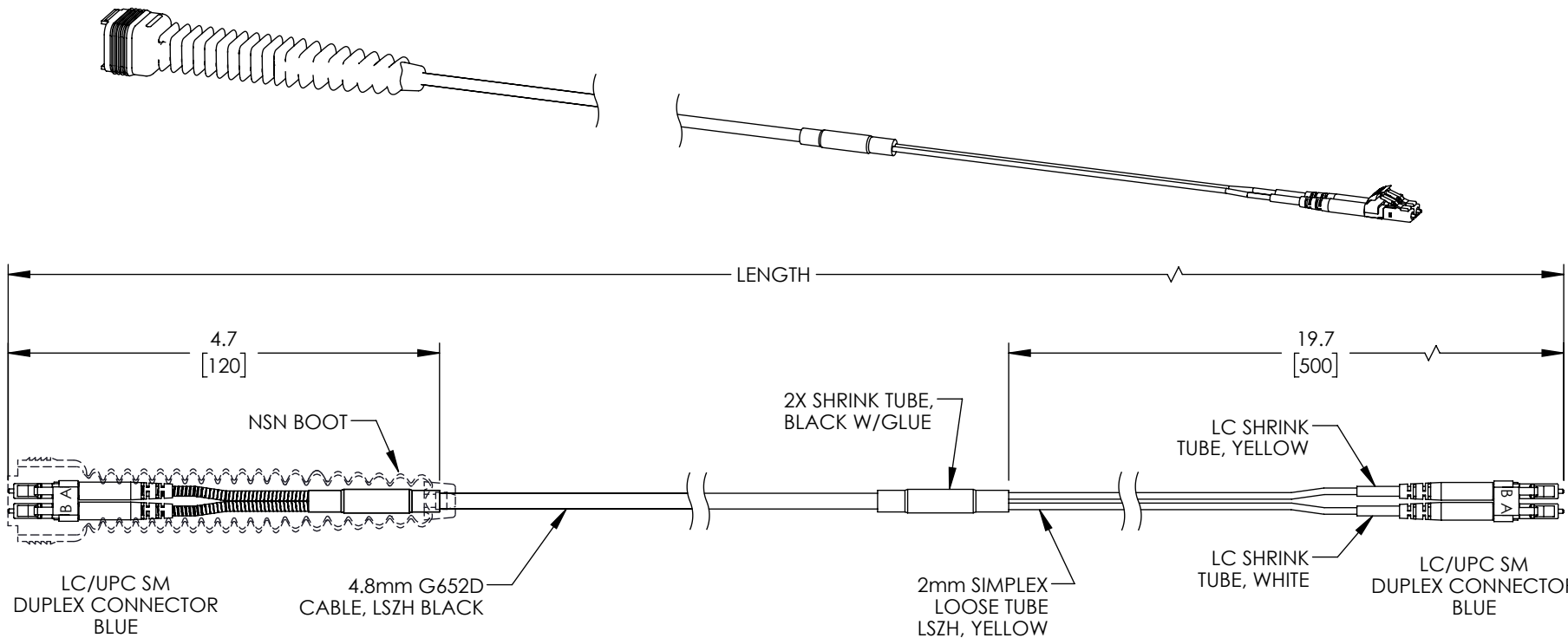
C

B

B

A

A




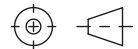
ASSY CONNECTIVITY	
LC/UPC	LC/UPC
A	B
B	A

ITEM NO.	LENGTH	
	METER	FEET
FOC01A1024N01M	1.0	3.28
FOC01A1024N02M	2.0	6.56
FOC01A1024N05M	5.0	16.40
FOC01A1024N10M	10.0	32.81
FOC01A1024N15M	15.0	49.21

NOTES:

- LC CONNECTOR POLISH TYPE: UPC.
- LC CONNECTORS COME WITH DUST PLUG INSTALLED (NOT SHOWN).
- CABLE ASSEMBLY SHALL BE INDIVIDUALLY PACKAGED IN ACCORDANCE WITH L-COM SPECIFICATION PS-0031.

**REGULATORY COMPLIANCE:**  
EU RoHS DIRECTIVE (MOST RECENT RELEASED VERSION)

UNLESS OTHERWISE SPECIFIED, DIMENSIONS ARE IN INCHES [mm] OVERALL CABLE LENGTH TOLERANCE: ≤12 [305] = +1 [25] / -0 >12 [305] ≤60 [1524] = +2 [51] / -0 >60 [1524] ≤120 [3048] = +4 [102] / -0 >120 [3048] ≤300 [7620] = +6 [152] / -0 >300 [7620] = +5% / -0 ALL OTHER DIMENSIONAL TOLERANCES: .X = ± .2 [5]   FRACTIONS ± 1/32 .XX = ± .02 [5]   ANGLES ± 1° .XXX = ± .005 [13]	APPROVALS DRAWN BY: DZINN CHECKED BY: DFRISIELLO APPROVED BY: PHOSPODAR	DATE 01/18/2022 01/18/2022 01/18/2022	 an INFINITO® brand 50 High Street, West Mill, North Andover, MA 01845 USA. Phone: 1.800.341.5266 1.978.682.6936
	CONFIGURATION DETAILS OF UNDIMENSIONED FEATURES MAY VARY COLOR VARIATIONS MAY OCCUR	CATEGORY <b>FIBER OPTIC</b>	PRODUCT DESCRIPTION Fiber Optic Outdoor patch cable, Duplex SMF(G.652.D), NSN flexible boot LC/UPC to NSN flexible boot LC/UPC with 4.8mm LSZH jacket
THIRD-ANGLE PROJECTION 	SCALE: NONE CAD FILE: FOC01A1024N.SLDDRW	SHEET 1 OF 1	