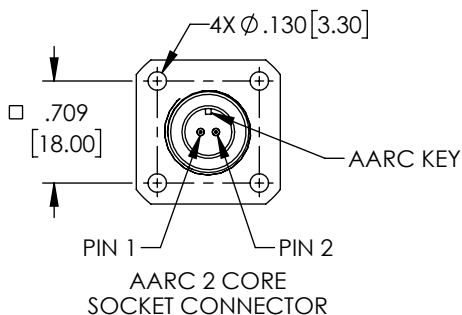
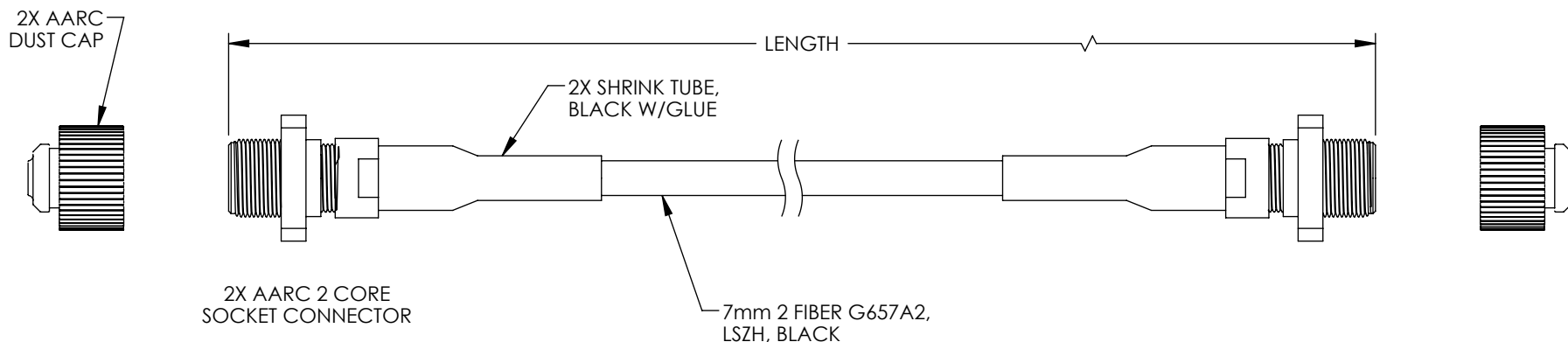


THE INFORMATION CONTAINED IN THIS DRAWING IS THE SOLE PROPERTY OF L-COM, INC. ANY REPRODUCTION IN PART OR WHOLE WITHOUT THE WRITTEN PERMISSION OF L-COM, INC. IS PROHIBITED.

| REVISIONS |                 |            |           |
|-----------|-----------------|------------|-----------|
| REV.      | DESCRIPTION     | DATE       | APPROVED  |
| A         | INITIAL RELEASE | 01/18/2022 | PHOSPODAR |



| ASSY CONNECTIVITY |                 |
|-------------------|-----------------|
| AARC 2 CORE SKT   | AARC 2 CORE SKT |
| PIN 1             | PIN 2           |
| PIN 2             | PIN 1           |


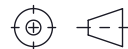
| ITEM NO.       | LENGTH |       |
|----------------|--------|-------|
|                | METER  | FEET  |
| FOCB026027N01M | 1.0    | 3.28  |
| FOCB026027N02M | 2.0    | 6.56  |
| FOCB026027N05M | 5.0    | 16.40 |
| FOCB026027N10M | 10.0   | 32.81 |
| FOCB026027N15M | 15.0   | 49.21 |

**NOTES:**

1. AARC CONNECTOR COMES WITH DUST CAP INSTALLED.
2. CABLE ASSEMBLY SHALL BE INDIVIDUALLY PACKAGED IN ACCORDANCE WITH L-COM SPECIFICATION PS-0031.

**REGULATORY COMPLIANCE:**

EU RoHS DIRECTIVE (MOST RECENT RELEASED VERSION)

|  |  |   |   |
|--|--|---|---|
| UNLESS OTHERWISE SPECIFIED, DIMENSIONS ARE IN INCHES [mm]<br>OVERALL CABLE LENGTH TOLERANCE:<br>≤12 [305] = +1 [25] / -0<br>>12 [305] ≤60 [1524] = +2 [51] / -0<br>>60 [1524] ≤120 [3048] = +4 [102] / -0<br>>120 [3048] ≤300 [7620] = +6 [152] / -0<br>>300 [7620] = +5% / -0<br>ALL OTHER DIMENSIONAL TOLERANCES:<br>.X = ± .2 [5]   FRACTIONS ± 1/32<br>.XX = ± .02 [.5]   ANGLES ± 1°<br>.XXX = ± .005 [1.3] | APPROVALS<br>DRAWN BY<br>DZINN                           | DATE<br>01/18/2022  |  50 High Street, West Mill,<br>North Andover, MA 01845 USA.<br>Phone: 1.800.341.5266<br>1.978.682.6936 |
|  | CHECKED BY<br>DFRISIELLO                                 | DATE<br>01/18/2022  |   |
| APPROVED BY<br>PHOSPODAR   | DATE<br>01/18/2022                                       | PRODUCT DESCRIPTION<br>Fiber Optic, Outdoor patch cable, Duplex MMF(OM3), 2 core AARC(Socket) to 2 core AARC(Socket) with 7.0mm LSZH jacket |   |
| THIRD-ANGLE PROJECTION<br>  | CONFIGURATION DETAILS OF UNDIMENSIONED FEATURES MAY VARY | COLOR VARIATIONS MAY OCCUR  | SIZE<br><b>A</b>  |
| CAGE CODE<br><b>43321</b>  |  | ITEM NO.<br><b>FOCB026027N</b>  | REV.<br><b>A</b>  |
| SCALE: NONE  |  | CAD FILE: FOCB026027N.SLDDRW  | SHEET 1 OF 1  |