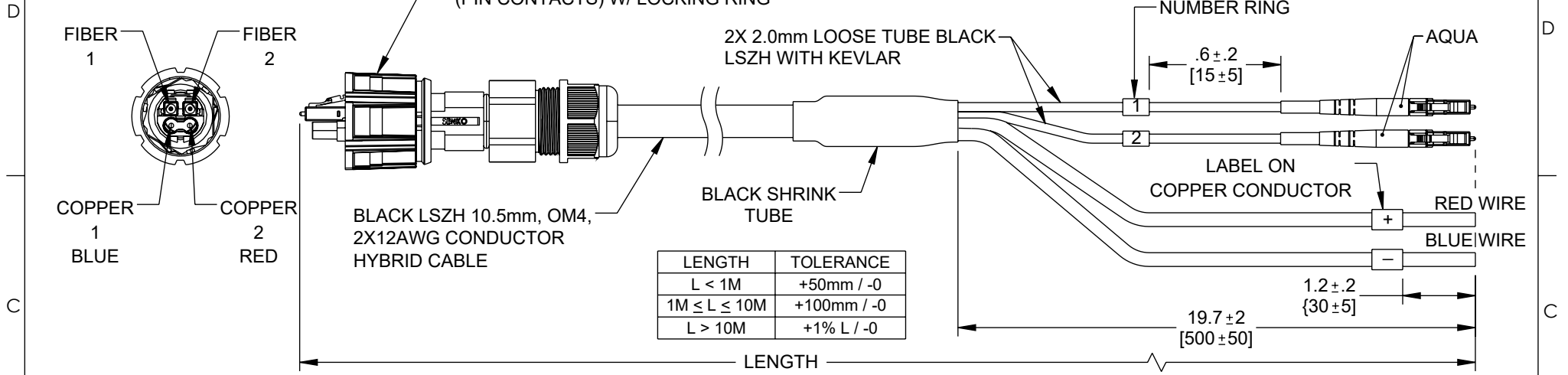


THE INFORMATION CONTAINED IN THIS DRAWING IS THE SOLE PROPERTY OF L-COM, INC. ANY REPRODUCTION IN PART OR WHOLE WITHOUT THE WRITTEN PERMISSION OF L-COM, INC. IS PROHIBITED.

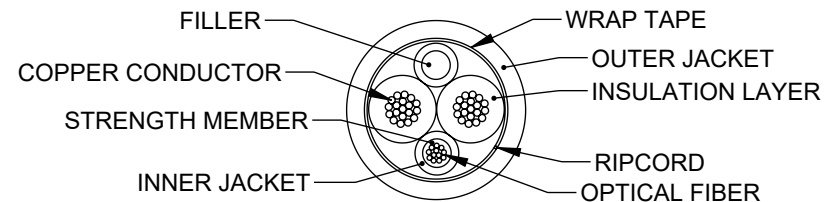
REVISION					
ZONE	REV	DESCRIPTION	DATE	CHANGED BY	APPROVED
	B	ECO-13048	09/13/2023	KGLEBOVA	REVANGELIS



CABLE SPECIFICATIONS	
ITEM	SPECIFICATION
JACKET DIAMETER	10.5 mm ±0.5
JACKET COLOR /MATERIAL	BLACK / LSZH
MIN. BEND RAD. (D: CABLE DIAM.)	10D mm STATIC 20D mm DYNAMIC
ATTENUATION	≤0.4 dB/km@1310nm, ≤0.3 dB/km@1550nm
SHORT TERM TENSILE	500 N
LONG TERM TENSILE	200 N
CRUSH RESISTANCE	1000 N/100mm
OPERATION TEMP.	-40~+70 °C
INSTALLATION TEMP.	-20~+60 °C
STORAGE TEMP.	-40~+70 °C
STRENGTH MEMBER	ARAMID YARN
INNER JACKET MATERIAL	LSZH
INNER JACKET COLOR	BLACK
INNER JACKET DIAM.	2.6 mm ±0.2


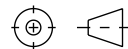
OPTICAL SPECIFICATIONS	
FIBER TYPE	MULTI MODE
POLISH TYPE	LCUPC
INSERTION LOSS	≤ 0.3dB
TEST WAVELENGTH	850nm & 1300nm

ENDFACE GEOMETRY	
SPECIFICATION TYPE	LCUPC
RADIUS OF CURVATURE	7mm TO 25mm
APEX OFFSET	< 50 um
FIBER HEIGHT	-50nm TO +50nm



CABLE PROFILE VIEW

- NOTES:
- ALL CONNECTORS ACCOMPANIED WITH A DUST CAP INSTALLED (NOT SHOWN)
 - CABLE ASSEMBLY LENGTH DETERMINED BY P/N AS ILLUSTRATED:
FOCM4IPHLCLC-XXX (-XXX = OAL IN METERS)
- REGULATORY COMPLIANCE:
EU RoHS DIRECTIVE (MOST RECENT RELEASED VERSION)

UNLESS OTHERWISE SPECIFIED, DIMENSIONS ARE IN INCHES [mm]		APPROVALS	DATE	 an INFINITI® brand	50 High Street, West Mill, North Andover, MA 01845 USA. Phone: 1.800.341.5266 1.978.682.6936						
OVERALL CABLE LENGTH TOLERANCE: ≤12 [305] = +1 [25] / -0 >12 [305] ≤60 [1524] = +2 [51] / -0 >60 [1524] ≤120 [3048] = +4 [102] / -0 >120 [3048] ≤300 [7620] = +6 [152] / -0 >300 [7620] = +5% / -0 ALL OTHER DIMENSIONAL TOLERANCES: .X = ± .2 [5] FRACTIONS ± 1/32 .XX = ± .02 [5] ANGLES ± 1° .XXX = ± .005 [13]		DRAWN BY BPUCHASKI	08/10/2023		CATEGORY FIBER OPTICS	PRODUCT DESCRIPTION IP68 HYBRID LC/UPC TO LC/UPC 0.5M FAN-OUT, 2mm OD, OM4, 10.5mm CABLE ASSEMBLY					
THIRD-ANGLE PROJECTION 		CHECKED BY REVANGELIS	08/10/2023	APPROVED BY PHOSPODAR		08/10/2023	CONFIGURATION DETAILS OF UNDIMENSIONED FEATURES MAY VARY	COLOR VARIATIONS MAY OCCUR	SIZE A	CAGE CODE 43321	ITEM NO. FOCM4IPHLCLC-XXX
				SCALE: NONE	CAD FILE: FOCM4IPHLCLC.SLDDRW		SHEET 1 OF 1				