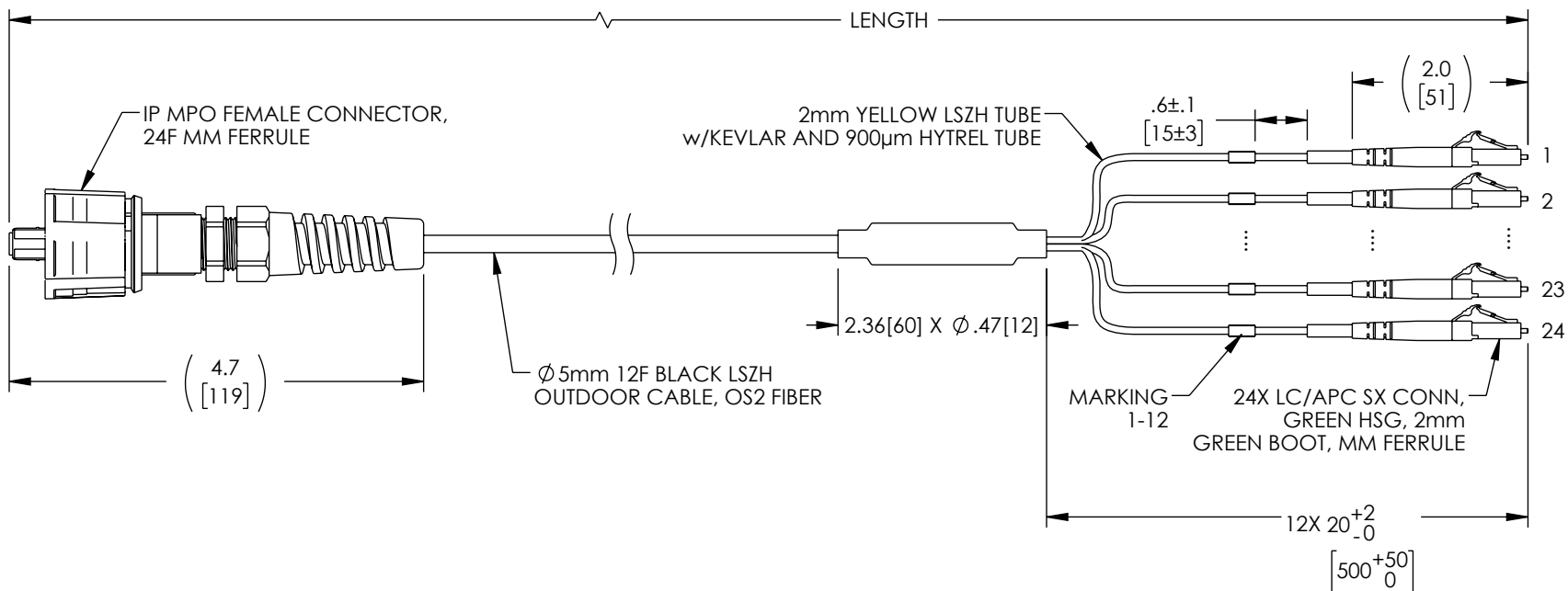
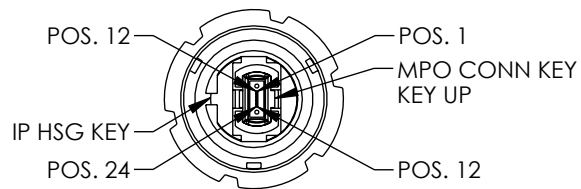


THE INFORMATION CONTAINED IN THIS DRAWING IS THE SOLE PROPERTY OF L-COM, INC. ANY REPRODUCTION IN PART OR WHOLE WITHOUT THE WRITTEN PERMISSION OF L-COM, INC. IS PROHIBITED.

REVISIONS			
REV.	DESCRIPTION	DATE	APPROVED
A	INITIAL RELEASE	10/21/2022	PHOSPODAR

LENGTH		OPTICAL SPECIFICATION	
LENGTH METER [FEET]	TOLERANCE MM [INCHES]	FIBER TYPE	SINGLE MODE
1 [3.28]	+50/-0 [+1.97/0]	CONNECTOR TYPE	IP-MPO/APC LC/APC
3 [9.84]	+100/-0 [+3.94/0]	INSERTION LOSS	≤ 0.75dB ≤ 0.30dB
5 [16.40]	+100/-0 [+3.94/0]	RETURN LOSS	≥ 55dB ≥ 65dB
		TEST WAVELENGTH	1310 & 1550nm



NOTES:

- MPO CONNECTOR ASSEMBLY POLISH TYPE: APC
LC CONNECTOR ASSEMBLY POLISH TYPE: APC.
- ALL CONNECTORS ACCOMPANIED WITH A DUST CAP INSTALLED (NOT SHOWN).
- CABLE ASSEMBLY SHALL BE INDIVIDUALLY PACKAGED IAW L-COM SPECIFICATION PS-0031.

REGULATORY COMPLIANCE:

EU RoHS DIRECTIVE (MOST RECENT RELEASED VERSION)

UNLESS OTHERWISE SPECIFIED, DIMENSIONS ARE IN INCHES [mm] OVERALL CABLE LENGTH TOLERANCE: ≤12 [305] = +1 [25] / -0 >12 [305] ≤60 [1524] = +2 [51] / -0 >60 [1524] ≤120 [3048] = +4 [102] / -0 >120 [3048] ≤300 [7620] = +6 [152] / -0 >300 [7620] = +5% / -0 ALL OTHER DIMENSIONAL TOLERANCES: .X = ±.2 [5] FRACTIONS ± 1/32 .XX = ±.02 [5] ANGLES ± 1° .XXX = ±.005 [1.3]	APPROVALS DRAWN BY DZINN CHECKED BY DMAY APPROVED BY REVANGELIS	DATE 10/21/2022 10/21/2022 10/21/2022	50 High Street, West Mill, North Andover, MA 01845 USA. Phone: 1.800.341.5266 1.978.682.6936		
	CONFIGURATION DETAILS OF UNDIMENSIONED FEATURES MAY VARY	CATEGORY FIBER OPTIC		PRODUCT DESCRIPTION IP68 OUTDOOR CABLE ASSY, 5MM OD OS2, MPO/APC FEMALE 24F TO LC/APC FAN-OUT	
THIRD-ANGLE PROJECTION 	COLOR VARIATIONS MAY OCCUR	SIZE A	CAGE CODE 43321	ITEM NO. FOCS20DMPFBLCA24	REV. A
		SCALE: NONE	CAD FILE: FOCS20DMPFBLCA24.SLDDRW	SHEET 1 OF 1	