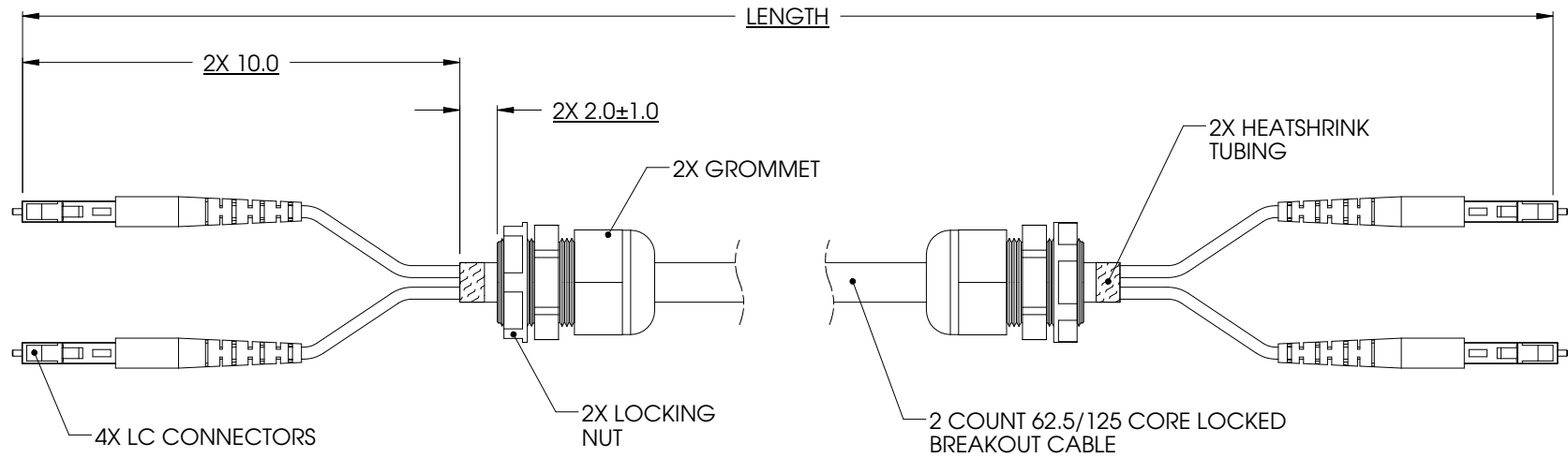
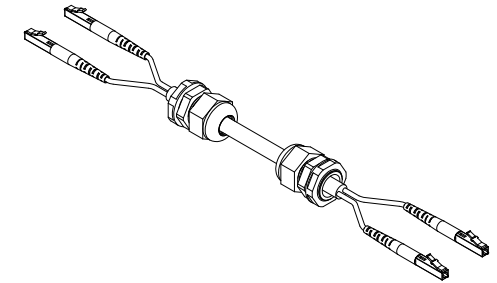


THE INFORMATION CONTAINED IN THIS DRAWING IS THE SOLE PROPERTY OF L-COM, INC. ANY REPRODUCTION IN PART OR WHOLE WITHOUT THE WRITTEN PERMISSION OF L-COM, INC. IS PROHIBITED.

REVISIONS			
REV	DESCRIPTION	DATE	APPROVED
A	INITIAL RELEASE	08/02/06	MCCORMICK



MODEL #	LENGTH (METERS)
FODLCG-01	1
FODLCG-02	2
FODLCG-03	3
FODLCG-05	5
FODLCG-10	10



OUTLINE DRAWING

UNLESS OTHERWISE SPECIFIED, DIMENSIONS ARE IN INCHES. TOLERANCES ARE:  
 X ±.1  
 XX ±.05  
 XXX ±.005  
 CABLE LENGTH TOLERANCE  
 ≤300' ±5% >300' ±2%

APPROVALS	DATE
DRAWN BY C.MCCORMICK	07/31/2006
CHECKED BY J.KIEZULAS	07/31/2006
APPROVED BY D.PARHAM	07/31/2006

CONFIGURATION DETAILS OF UNDIMENSIONED FEATURES MAY VARY

<b>L-com</b> CONNECTIVITY PRODUCTS		45 BEECHWOOD DRIVE NORTH ANDOVER, MA 01845	
DRAWN BY C.MCCORMICK		DATE 07/31/2006	
CHECKED BY J.KIEZULAS		DATE 07/31/2006	
APPROVED BY D.PARHAM		DATE 07/31/2006	
CATEGORY FIBER OPTIC		PRODUCT LC-LC DUPLEX GROMMET	
SIZE <b>A</b>	FSCM NO. <b>43321</b>	DWG. NO. FODLCG-01	REV. <b>A</b>
SCALE: NONE		CAD FILE: FODLCG-01.SLDDRW	
SHEET 1 OF 1			