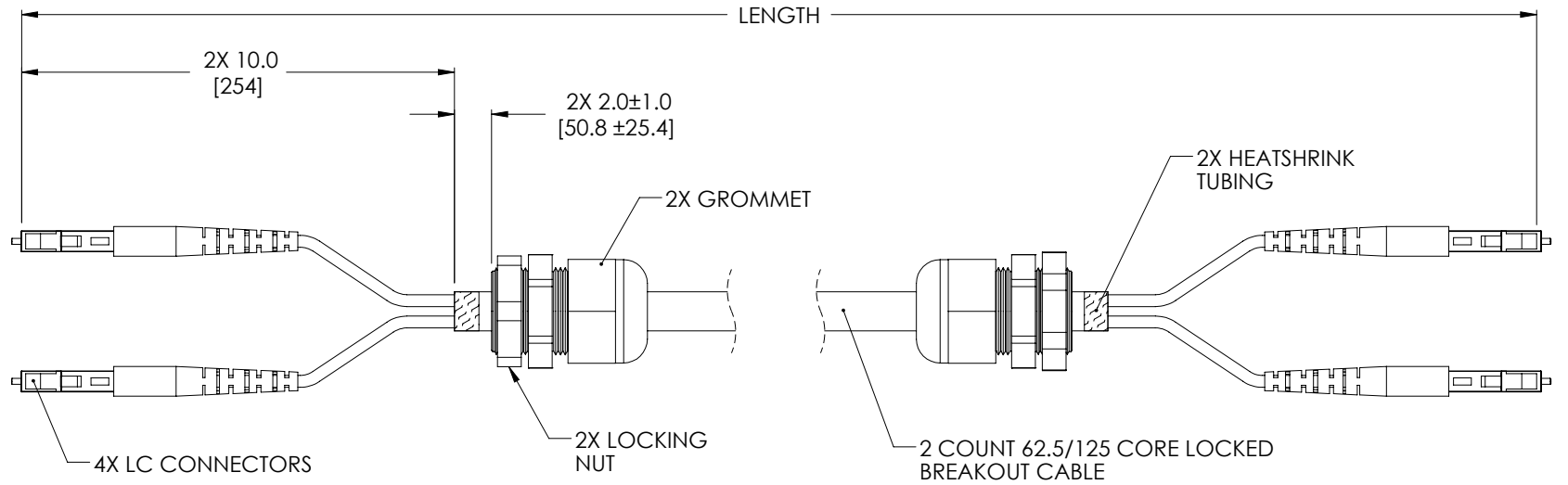


THE INFORMATION CONTAINED IN THIS DRAWING IS THE SOLE PROPERTY OF L-COM, INC. ANY REPRODUCTION IN PART OR WHOLE WITHOUT THE WRITTEN PERMISSION OF L-COM, INC. IS PROHIBITED.

| REVISIONS | | | |
|-----------|----------------------------|---------|-----------|
| REV | DESCRIPTION | DATE | APPROVED |
| A | DRAWING REPLACES FODLCG-01 | 10/1/14 | D. CASTRO |
| | | | |
| | | | |



| PART NUMBER | LENGTH METERS [FEET] |
|-------------|----------------------|
| FODLCG-01 | 1.0 [3.28] |
| FODLCG-02 | 2.0 [6.56] |
| FODLCG-03 | 3.0 [9.84] |
| FODLCG-04 | 4.0 [13.12] |
| FODLCG-05 | 5.0 [16.40] |
| FODLCG-10 | 10.0 [32.80] |
| FODLCG-25 | 25.0 [82.02] |
| FODLCG-50 | 50.0 [164.04] |
| FODLCG-100 | 100.0 [328.08] |

NOTES:

- LC CONNECTOR ASSEMBLY POLISH TYPE: PC
 - ALL CONNECTORS ACCOMPANIED WITH A DUST CAP INSTALLED (NOT SHOWN).
 - PACKAGING:
LESS THAN 50 METERS (164 FT): INDIVIDUALLY PACKAGE EACH ASSEMBLY IN ACCORDANCE WITH L-COM SPECIFICATION PS-0031.
50 METERS (164 FT) OR MORE: TO BE SPOOLED
- REGULATORY COMPLIANCE:**
CE2011/65/EU(RoHS DIRECTIVE)

| | | | | |
|---|--|----------------------------|--|--|
| UNLESS OTHERWISE SPECIFIED, DIMENSIONS ARE IN INCHES [mm] OVERALL CABLE LENGTH TOLERANCE: ≤12 [305] = +1 [25] / -0 >12 [305] ≤60 [1524] = +2 [51] / -0 >60 [1524] ≤120 [3048] = +4 [102] / -0 >120 [3048] ≤300 [7620] = +6 [152] / -0 >300 [7620] = +5% / -0% | APPROVALS | DATE | | 45 BEECHWOOD DRIVE NORTH ANDOVER, MA 01845 |
| | DRAWN BY C.MCCORMICK | 07/31/2006 | | |
| ALL OTHER DIMENSIONAL TOLERANCES: .X = ± .2 [5.08] .XX = ± .02 [51] .XXX = ±.005 [1.3] | CHECKED BY J.KIEZULAS | 07/31/2006 | CATEGORY FIBER OPTICS | |
| | APPROVED BY D.PARHAM | 07/31/2006 | PRODUCT DESCRIPTION CA LC-LC DPX GROM | |
| PROJECTION | CONFIGURATION DETAILS OF UNDIMENSIONED FEATURES MAY VARY | COLOR VARIATIONS MAY OCCUR | SIZE A | FSCM NO. 43321 |
| | | | DWG. NO. FODLCG | REV. A |
| | | | SCALE: NONE | CAD FILE: FODLCG.SLDDRW |
| | | | | SHEET 1 OF 1 |