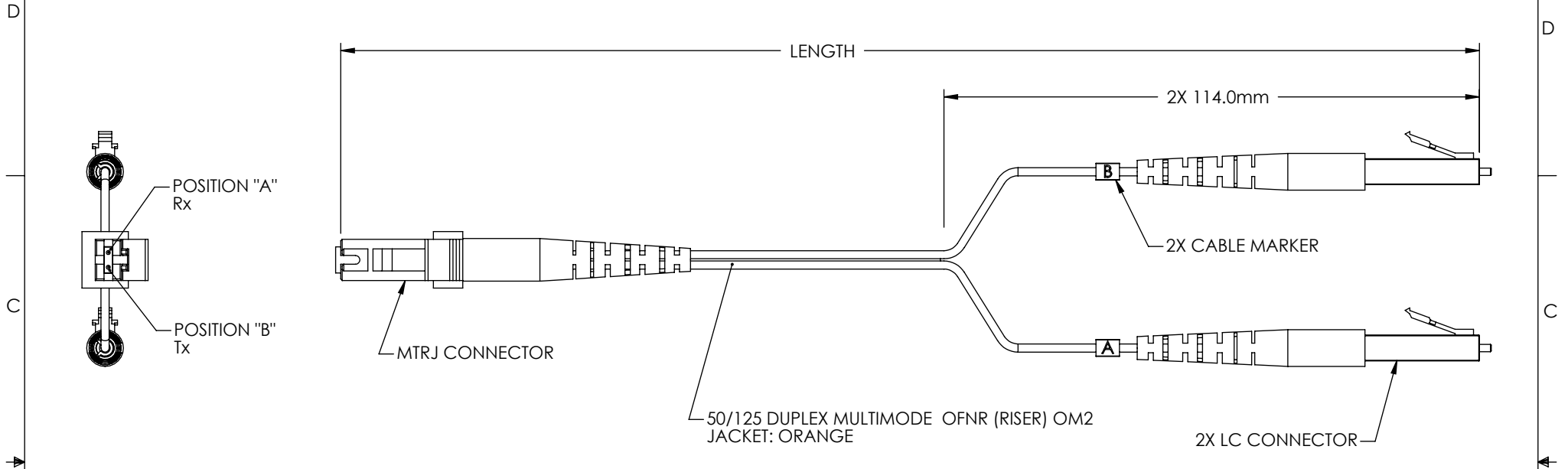


THE INFORMATION CONTAINED IN THIS DRAWING IS THE SOLE PROPERTY OF L-COM, INC. ANY REPRODUCTION IN PART OR WHOLE WITHOUT THE WRITTEN PERMISSION OF L-COM, INC. IS PROHIBITED.

REVISIONS			
REV	DESCRIPTION	DATE	APPROVED
A	DRAWING REPLACES FODMT50-LC-01-OD1	10/1/14	D. CASTRO



PART NUMBER	LENGTH METERS [FEET]
FODMT50-LC-01	1.0 [3.28]
FODMT50-LC-02	2.0 [6.56]
FODMT50-LC-03	3.0 [9.84]
FODMT50-LC-04	4.0 [13.12]
FODMT50-LC-05	5.0 [16.40]

NOTES:

- CONNECTOR ASSEMBLY POLISH TYPE: PC
- ALL CONNECTORS ACCOMPANIED WITH A DUST CAP INSTALLED (NOT SHOWN).
- CABLE ASSEMBLY SHALL BE INDIVIDUALLY PACKAGED IN ACCORDANCE WITH L-COM SPECIFICATION PS-0031.

REGULATORY COMPLIANCE:
CE2011/65/EU (RoHS DIRECTIVE)

UNLESS OTHERWISE SPECIFIED, DIMENSIONS ARE IN INCHES [mm] OVERALL CABLE LENGTH TOLERANCE: ≤ 12 [305] = +1 [25] / -0 > 12 [305] ≤ 60 [1524] = +2 [51] / -0 > 60 [1524] ≤ 120 [3048] = +4 [102] / -0 > 120 [3048] ≤ 300 [7620] = +6 [152] / -0 > 300 [7620] = +5% / -0% ALL OTHER DIMENSIONAL TOLERANCES: .X = $\pm .2$ [5.08] .XX = $\pm .02$ [51] .XXX = $\pm .005$ [13]	APPROVALS DRAWN BY C.MCCORMICK CHECKED BY DFP APPROVED BY R.CARRICK	DATE 01/05/2001 01/05/2001 01/05/2001		45 BEECHWOOD DRIVE NORTH ANDOVER, MA 01845
	CONFIGURATION DETAILS OF UNDIMENSIONED FEATURES MAY VARY		CATEGORY FIBER OPTIC	
	COLOR VARIATIONS MAY OCCUR		PRODUCT DESCRIPTION CA MTRJ-LC 50/125 DUPLEX	
	PROJECTION 	SIZE A	FSCM NO. 43321	DWG. NO. FODMT50-LC
SCALE: NONE		CAD FILE: FODMT50-LC.SLDDRW		SHEET 1 OF 1