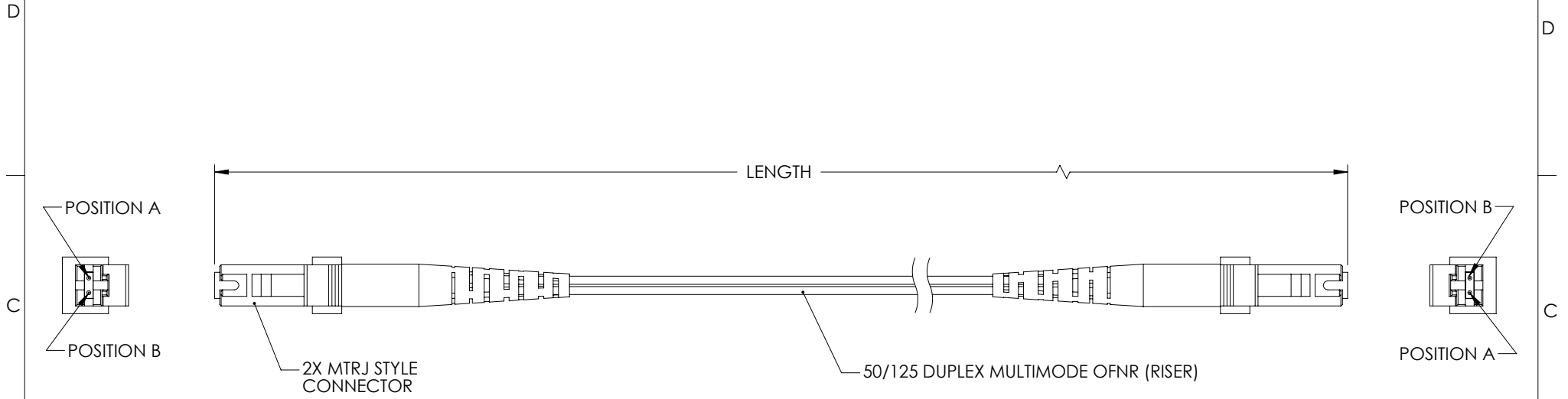


8 7 6 5 4 3 2 1


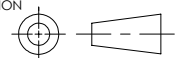
THE INFORMATION CONTAINED IN THIS DRAWING IS THE SOLE PROPERTY OF L-COM, INC. ANY REPRODUCTION IN PART OR WHOLE WITHOUT THE WRITTEN PERMISSION OF L-COM, INC. IS PROHIBITED.

REVISIONS			
REV	DESCRIPTION	DATE	APPROVED
F	ECN 4029: ADDED 10 & 15 METER CONFIGURATIONS	5/29/09	D.FRISIELLO
F	ECN99999: ADDED END VIEWS	02/05/10	DFP



PART #	LENGTH FEET [METERS]
FODMTRJ50-01	3.28 [1.0]
FODMTRJ50-02	6.56 [2.0]
FODMTRJ50-03	9.84 [3.0]
FODMTRJ50-04	13.12 [4.0]
FODMTRJ50-05	16.40 [5.0]
FODMTRJ50-10	32.81 [10.0]
FODMTRJ50-15	49.22 [15.0]

NOTES:
 1. CONNECTOR ASSEMBLY USES A PC POLISH.
 2. ALL CONNECTORS ACCOMPANIED WITH A DUST CAP (NOT SHOWN).

UNLESS OTHERWISE SPECIFIED, DIMENSIONS ARE IN INCHES [mm] OVERALL CABLE LENGTH TOLERANCE: ≤12 [305] = +1 [25] / -0 >12 [305] ≤60 [1524] = +2 [51] / -0 >60 [1524] ≤120 [3048] = +4 [102] / -0 >120 [3048] ≤300 [7620] = +6 [152] / -0 >300 [7620] = +3% / -0%	APPROVALS	DATE	 45 BEECHWOOD DRIVE NORTH ANDOVER, MA 01845
	DRAWN BY C.MCCORMICK	01/03/2001	
ALL OTHER DIMENSIONAL TOLERANCES: .X = ±.2 .XX = ±.02 .XXX = ±.005	CHECKED BY D.PARHAM	01/19/2001	PRODUCT DESCRIPTION MTRJ TO MTRJ 50/125 DUPLEX
	APPROVED BY R.CARRICK	01/19/2001	
PROJECTION 	CONFIGURATION DETAILS OF UNDIMENSIONED FEATURES MAY VARY	COLOR VARIATIONS MAY OCCUR	