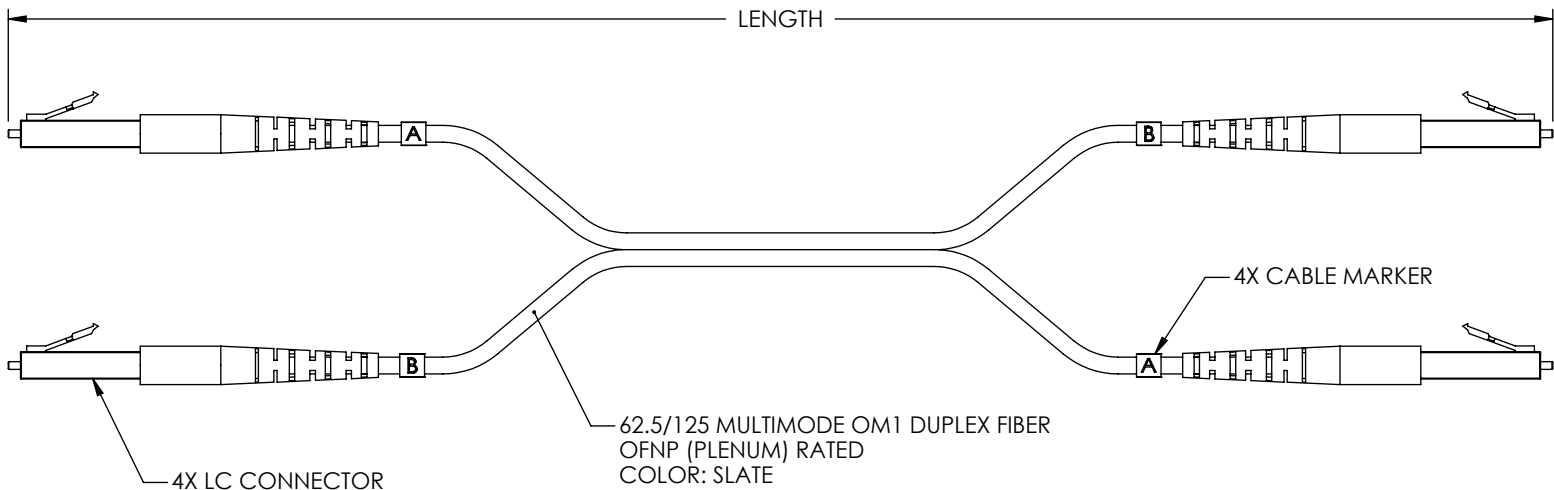


THE INFORMATION CONTAINED IN THIS DRAWING IS THE SOLE PROPERTY OF L-COM, INC. ANY REPRODUCTION IN PART OR WHOLE WITHOUT THE WRITTEN PERMISSION OF L-COM, INC. IS PROHIBITED.

REVISIONS			
REV	DESCRIPTION	DATE	APPROVED
A	DRAWING REPLACES FODPLC-1-OD1	10/6/14	D. CASTRO



PART NUMBER	LENGTH METERS [FEET]
FODPLC-01	1.0 [3.28]
FODPLC-02	2.0 [6.56]
FODPLC-03	3.0 [9.84]
FODPLC-04	4.0 [13.12]
FODPLC-05	5.0 [16.40]

NOTES:

1. LC CONNECTOR ASSEMBLY POLISH TYPE: PC
2. ALL CONNECTORS ACCOMPANIED WITH A DUST CAP INSTALLED (NOT SHOWN).
3. CABLE ASSEMBLY SHALL BE INDIVIDUALLY PACKAGED IN ACCORDANCE WITH L-COM SPECIFICATION PS-0031.

REGULATORY COMPLIANCE:
CE2011/65/EU(RoHS DIRECTIVE)

UNLESS OTHERWISE SPECIFIED, DIMENSIONS ARE IN INCHES [mm] OVERALL CABLE LENGTH TOLERANCE: ≤ 12 [305] = +1 [25] / -0 >12 [305] ≤ 60 [1524] = +2 [51] / -0 >60 [1524] ≤ 120 [3048] = +4 [102] / -0 >120 [3048] ≤ 300 [7620] = +6 [152] / -0 >300 [7620] = +5% / -0% ALL OTHER DIMENSIONAL TOLERANCES: .X = ± .2 [5.08] .XX = ± .02 [5.1] .XXX = ± .005 [1.3]	APPROVALS DRAWN BY C.McCORMICK CHECKED BY D.PARHAM APPROVED BY R.CARRICK	DATE 12/02/2002 12/02/2002 12/02/2002	45 BEECHWOOD DRIVE NORTH ANDOVER, MA 01845
	CONFIGURATION DETAILS OF UNDIMENSIONED FEATURES MAY VARY COLOR VARIATIONS MAY OCCUR	CATEGORY FIBER OPTICS	PRODUCT DESCRIPTION CA LC-LC 62.5/125 DPLX PLEN
PROJECTION 	SIZE A	FSCM NO. 43321	DWG. NO. FODPLC
		REV. A	