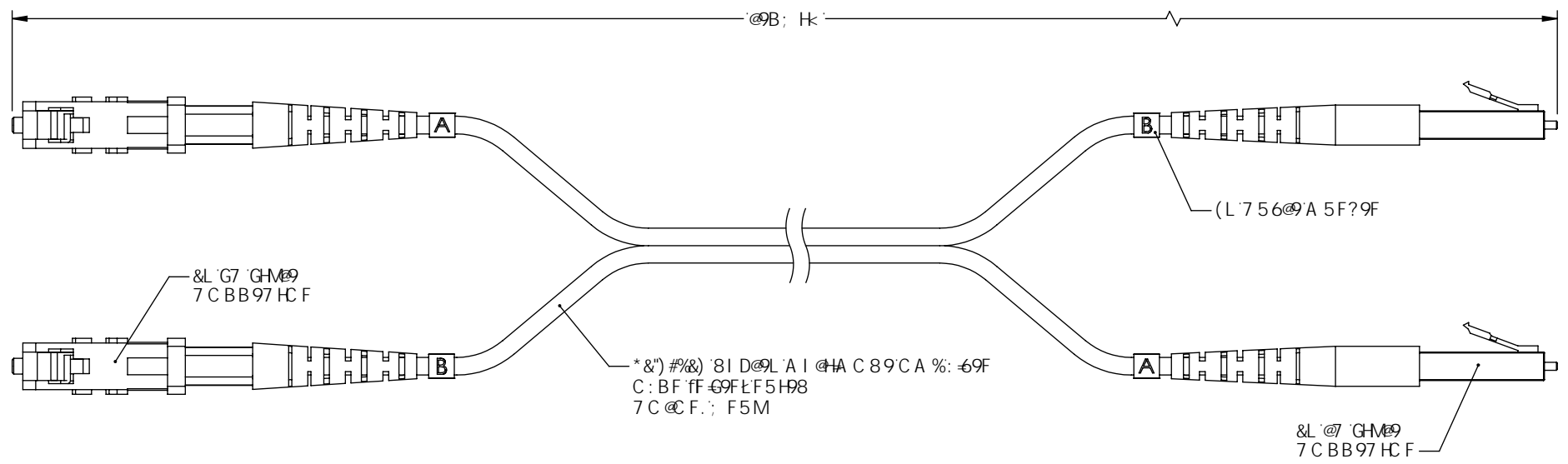


H:9`B: CFA 5HC B`7 C B H 5-B 98`B`H:G`8F5K B: "G`H:9`GC @9  
 DFC D9F HMC: @7 CA 2-B7`"5B MF 9DFC 81 7 HC B`B D5FHC F K <C @9  
 K H:C I H H:9K F H B B D9FA GGC B C: @7 CA 2-B7`"GDFC <6+98`"

F9J 6C BG			
F9J	89G7 F-DHC B	85H9	5DDFCJ 98
5	F9@95 G98 : C F DFC 81 7 HC B	\$%#% #5%	A 77 CFA -7?
6	F9J @98 15 6@9 97 B: %%%	\$) # \$5&	A 77 CFA -7?
7	F9J @98 7 5 6@9 A 5 F?9 F G F97 B %&+(L	\$%\$&#5'	A 77 CFA -7?
8	97 B * &&( L D85H8 8F5K B: : CFA 5H/ D57?5: B: "58898 FC <G G 5A D * #8/#%&	* #8/#%&	8" 89G-5F8 #



D5FH..... BI A 69F	@9B; Hk	
: C 8G7!@!\$%	%\$	' ""
: C 8G7!@!\$&	&"\$	* ""
: C 8G7!@!\$'	' "\$	- "
: C 8G7!@!\$(	(" \$	% ""
: C 8G7!@!\$)	) "\$	%*(
: C 8G7!@!\$%	%\$ "\$	' &,"

8

BC H9G

"%`7 C BB97 HC F`5 GG9A 6@MDC @G<`HMD9.`D7  
 `&`5 @7 C BB97 HC FG57 7 CA D5B 98`K Hk`5`81 GH  
 .....7 5D`B G H 5 @98`f B C H G < C K B L`  
 " "" 7 5 6@9`5 GG9A 6@MG<5 @69`B 8 J`81 5 @MD57?5; 98`B`  
 .....5 7 7 C F 8 5 B 7 9 K Hk`@7 CA`D57?5; B; `GD97 = 7 5 HC B`D G \$ \$' %`

**Fc<G'7ca d'UbhU**

I B @GGC H:9K @9 QD97 = 982 8 A 9B GC BG 5 F 9 B`B7 <9G Q: a Q C J 9 F 5 @7 5 6 @9 @9B; Hk: HC @9 F 5 B 7 9. @%& O S) Q1 2% Q) Q#1\$ 2%& O S) Q# 5 Q) & (O1 Z & Q %Q#1\$ 2" S Q) & (O%& S O S(, O1 Z( O%& O#1\$ 2%& S O S( O# 5 S O`85 O1 Z`O) 8 O#1\$ 2" S S O`85 O1 Z) ; #1\$;	5DDFCJ 5@G 85H9 8F5K B 6M 7`A W CFA -7? 7<97798 6M 8: D 5DDFCJ 98 6M F`7 5 F F-7?	85H9 \$%#% #5% \$%#% #5\$ \$%#% #5%	Global Connectivity ( ) 6997 <K CC 8 8F # 9 BC FH: 5B BC J 9 F Z A 5 \$% ( )
5 @C H: 9F 8 A 9B GC B 5 @HC @9 F 5 B 7 9 G L L 1 -`& L L 1 -`\$& L L L 1 -`\$\$	7 CB: = 1 F 5 HC B 8 9 H 5 @GC: 1 B 8 A 9B GC B 9 8: 9 5 H F 9 G A 5 M J 5 F M	DFC 81 7 H 8 9 G 7 F-DHC B : -69F`C DH7 G 7 5`G7!@`* &') #)%&' 81 D@L	GAN 5 : G7 A BC* BK: "" BC" (' &% : C 8G7!@!\$% F9J 8
DFC >97 HC B 	7 C @C F J 5 F 5 HC BG A 5 M C 7 7 F F	G7 5 @9. BC B 9 7 5 8: @9: " C 8 G 7 ! @ 1 5 % G 8 8 F K G< 99H % C: %	