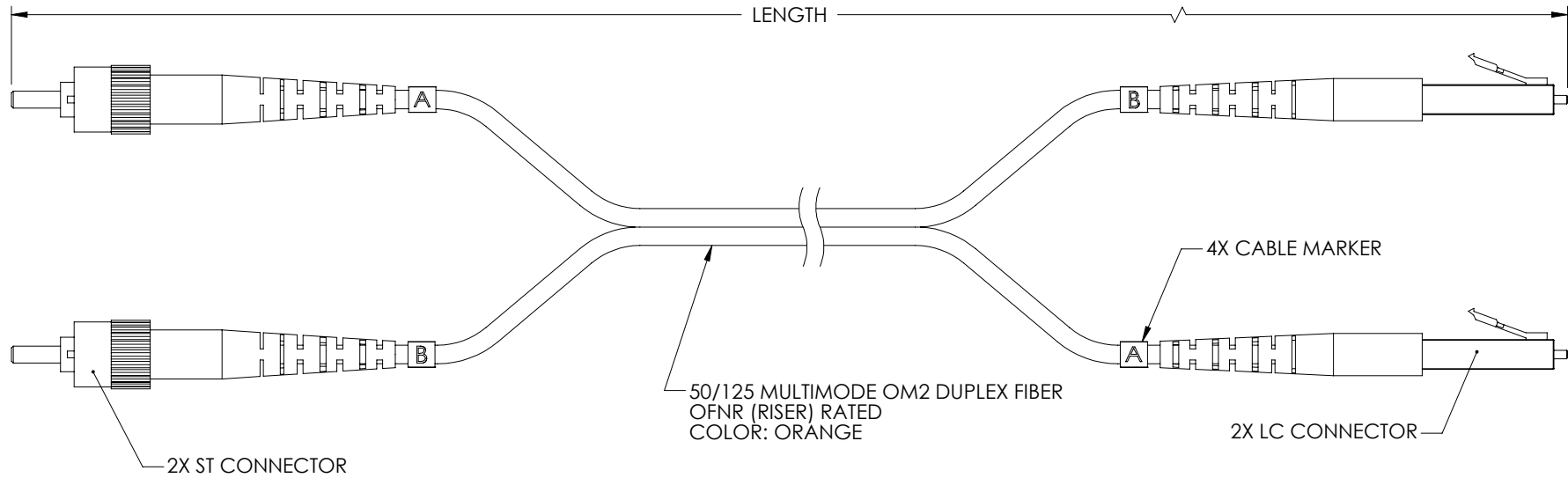


THE INFORMATION CONTAINED IN THIS DRAWING IS THE SOLE PROPERTY OF L-COM, INC. ANY REPRODUCTION IN PART OR WHOLE WITHOUT THE WRITTEN PERMISSION OF L-COM, INC. IS PROHIBITED.

REVISIONS			
REV	DESCRIPTION	DATE	APPROVED
A	DRAWING REPLACES FODST50-LC-01-OD1	10/10/14	D. CASTRO



PART NUMBER	METERS [FEET]
FODST50-LC-01	1.0 [3.28]
FODST50-LC-02	2.0 [6.56]
FODST50-LC-03	3.0 [9.84]
FODST50-LC-04	4.0 [13.1]
FODST50-LC-05	5.0 [16.4]

NOTES:

1. ST CONNECTOR ASSEMBLY POLISH TYPE: PC
LC CONNECTOR ASSEMBLY POLISH TYPE: PC
2. ALL CONNECTORS ACCOMPANIED WITH A DUST CAP INSTALLED (NOT SHOWN).
3. CABLE ASSEMBLY SHALL BE INDIVIDUALLY PACKAGED IN ACCORDANCE WITH L-COM SPECIFICATION PS-0031.

REGULATORY COMPLIANCE:
CE2011/65/EU(RoHS DIRECTIVE)

UNLESS OTHERWISE SPECIFIED, DIMENSIONS ARE IN INCHES [mm] OVERALL CABLE LENGTH TOLERANCE: ≤12 [305] = +1 [25] / -0 >12 [305] ≤60 [1524] = +2 [51] / -0 >60 [1524] ≤120 [3048] = +4 [102] / -0 >120 [3048] ≤300 [7620] = +6 [152] / -0 >300 [7620] = +5% / -0%	APPROVALS	DATE		45 BEECHWOOD DRIVE NORTH ANDOVER, MA 01845
	DRAWN BY C.McCORMICK	01/03/01		CATEGORY
ALL OTHER DIMENSIONAL TOLERANCES: .X = ±.2 [5.08] .XX = ±.02 [1.51] .XXX = ±.005 [1.13]	CHECKED BY DFP	01/19/01	PRODUCT DESCRIPTION	
PROJECTION 	APPROVED BY R.CARRICK	01/19/01	CA ST-LC 50/125 DUPLEX	
	CONFIGURATION DETAILS OF UNDIMENSIONED FEATURES MAY VARY		SIZE A	FSCM NO. 43321
	COLOR VARIATIONS MAY OCCUR		DWG. NO. FODST50-LC	REV. A
			SCALE: NONE	CAD FILE: FODST50-LC.SLDDRW
				SHEET 1 OF 1