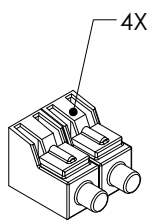
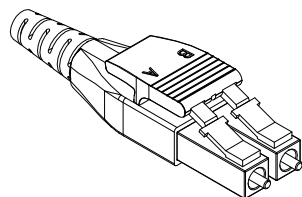
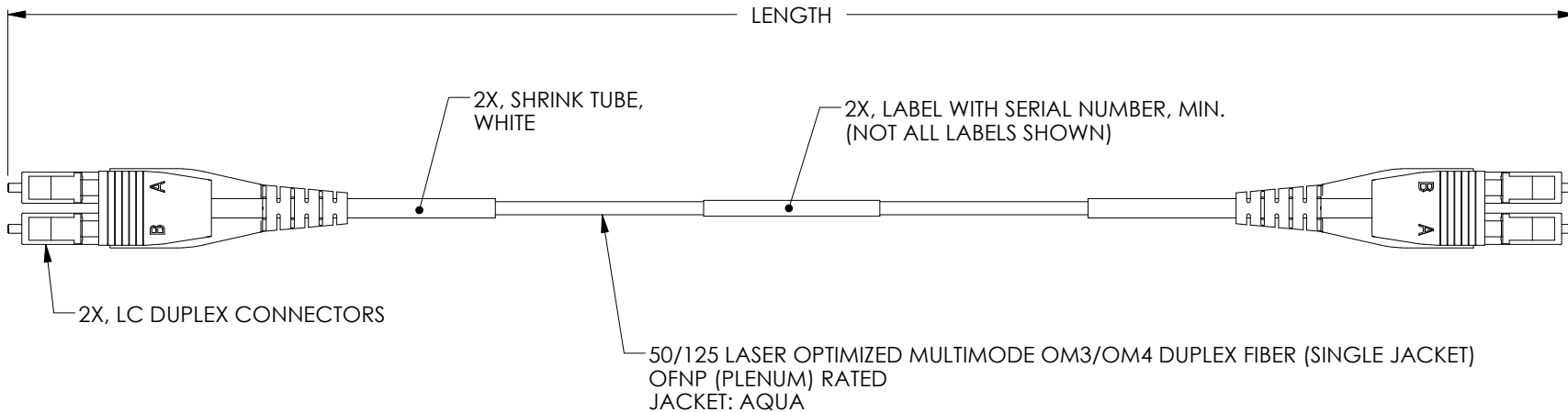


THE INFORMATION CONTAINED IN THIS DRAWING IS THE SOLE PROPERTY OF L-COM, INC. ANY REPRODUCTION IN PART OR WHOLE WITHOUT THE WRITTEN PERMISSION OF L-COM, INC. IS PROHIBITED.

REVISIONS			
REV	DESCRIPTION	DATE	APPROVED
A	INITIAL RELEASE	3/12/12	D.GRIFFIN
B	ECN 6326: ADDED ROHS STAMP, ADDED 2X-SHRINK TUBE, REVISED LABEL INFO	8/7/12	D.FRISIELLO
C	ECN 6851: ADDED VENDOR P/N TO TABLE, UPDATED COMPLIANCE NOTE	5/22/13	D.DESJARDIN
D	ECN 8884: REMOVE VENDOR P/N IN TABLE, CHG OM3 TO OM3/OM4	8/10/2017	R.CLARK



4X, DUST CAPS

L-COM P/N	METERS [FEET]
FODULC-OM3-1M	1.0 [3.28]
FODULC-OM3-2M	2.0 [6.56]
FODULC-OM3-3M	3.0 [9.84]
FODULC-OM3-4M	4.0 [13.12]
FODULC-OM3-5M	5.0 [16.40]
FODULC-OM3-6M	6.0 [19.69]
FODULC-OM3-7M	7.0 [22.97]

NOTES:

- CONNECTOR ASSEMBLY POLISH TYPE: PC
- CABLE ASSEMBLY SHALL BE TESTED FOR CONTINUITY.
- CABLE ASSEMBLY SHALL BE INDIVIDUALLY PACKAGED IN ACCORDANCE WITH L-COM SPECIFICATION PS-0031.

REGULATORY COMPLIANCE:
CE2011/65/EU(RoHS DIRECTIVE)

UNLESS OTHERWISE SPECIFIED, DIMENSIONS ARE IN INCHES [mm] OVERALL CABLE LENGTH TOLERANCE: ≤12 [305] = +1 [25] / -0 >12 [305] ≤60 [1524] = +2 [51] / -0 >60 [1524] ≤120 [3048] = +4 [102] / -0 >120 [3048] ≤300 [7620] = +6 [152] / -0 >300 [7620] = +5% / -0%	APPROVALS	DATE		45 BEECHWOOD DRIVE NORTH ANDOVER, MA 01845
	DRAWN BY D. DESJARDIN	3/12/12		CATEGORY
ALL OTHER DIMENSIONAL TOLERANCES: .X = ± .2 [5.08] .XX = ± .02 [51] .XXX = ±.005 [1.27]	CHECKED BY D. GUITADAURO	3/12/12	PRODUCT DESCRIPTION	
PROJECTION 	APPROVED BY D. GALLAGHER	3/12/12	ULC-ULC 50/125 OM3/OM4 OFNP	
	CONFIGURATION DETAILS OF UNDIMENSIONED FEATURES MAY VARY		SIZE A	FSCM NO. 43321
	COLOR VARIATIONS MAY OCCUR		DWG. NO. FODULC-OM3	REV. D
			SCALE: NONE	CAD FILE: FODULC-OM3.SLDDRW
				SHEET 1 OF 1