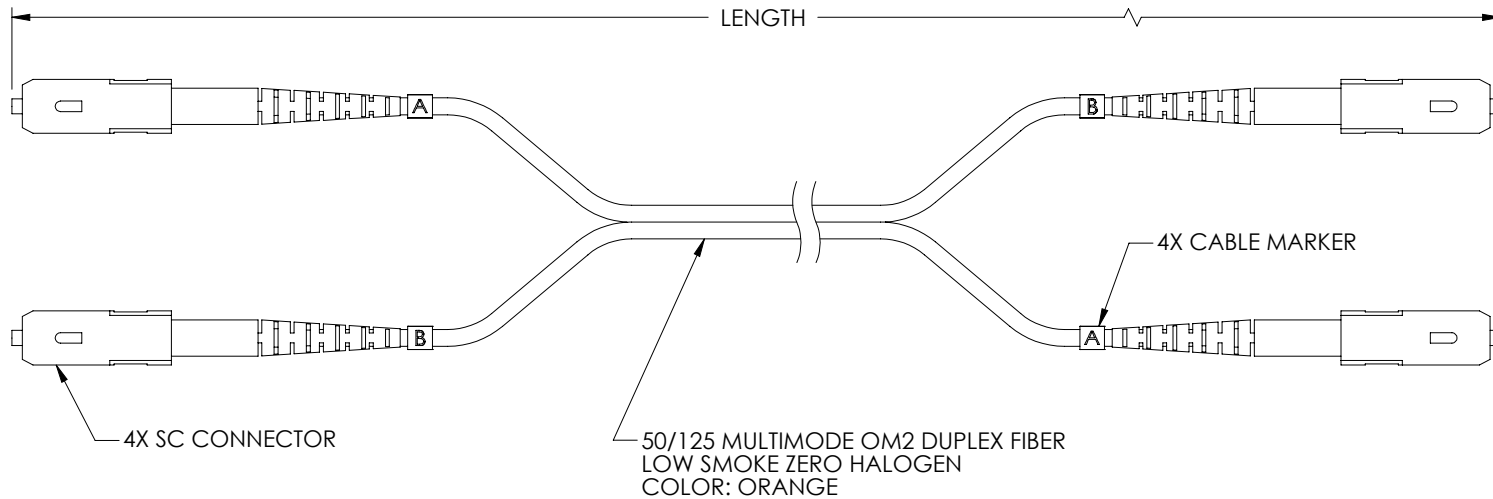


THE INFORMATION CONTAINED IN THIS DRAWING IS THE SOLE PROPERTY OF L-COM, INC. ANY REPRODUCTION IN PART OR WHOLE WITHOUT THE WRITTEN PERMISSION OF L-COM, INC. IS PROHIBITED.

REVISIONS			
REV	DESCRIPTION	DATE	APPROVED
A	DRAWING REPLACES FODZSC50-01-OD1	10/13/14	D. CASTRO


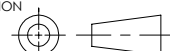


PART NUMBER	LENGTH METERS [FEET]
FODZSC50-01	1.0 [3.28]
FODZSC50-02	2.0 [6.56]
FODZSC50-03	3.0 [9.84]
FODZSC50-04	4.0 [13.12]
FODZSC50-05	5.0 [16.40]

NOTES:

1. SC CONNECTOR ASSEMBLY POLISH TYPE: PC
2. INSERTION LOSS TESTED AT 1300nm WITH A <-1.0 dB RESULT.
3. ALL CONNECTORS ACCOMPANIED WITH A DUST CAP INSTALLED (NOT SHOWN).
4. CABLE ASSEMBLY SHALL BE INDIVIDUALLY PACKAGED IN ACCORDANCE WITH L-COM SPECIFICATION PS-0031.

REGULATORY COMPLIANCE:
CE2011/65/EU(RoHS DIRECTIVE)

UNLESS OTHERWISE SPECIFIED, DIMENSIONS ARE IN INCHES [mm] OVERALL CABLE LENGTH TOLERANCE: ≤12 [305] = +1 [25] / -0 >12 [305] ≤60 [1524] = +2 [51] / -0 >60 [1524] ≤120 [3048] = +4 [102] / -0 >120 [3048] ≤300 [7620] = +6 [152] / -0 >300 [7620] = +5% / -0%	APPROVALS	DATE	 45 BEECHWOOD DRIVE NORTH ANDOVER, MA 01845			
	DRAWN BY C.MCCORMICK	11/08/2004		CATEGORY FIBER OPTICS		
ALL OTHER DIMENSIONAL TOLERANCES: .X = ± .2 [5.08] .XX = ± .02 [5.1] .XXX = ±.005 [1.3]	CHECKED BY D.PARHAM	11/08/2004	PRODUCT DESCRIPTION CA SC-SC 50/125 DPLX LSZH			
	APPROVED BY R.CARRICK	11/08/2004		<table border="1"> <tr> <td>SIZE A</td> <td>FSCM NO. 43321</td> <td>DWG. NO. FODZSC50</td> <td>REV. A</td> </tr> </table>	SIZE A	FSCM NO. 43321
SIZE A	FSCM NO. 43321	DWG. NO. FODZSC50	REV. A			
PROJECTION 	CONFIGURATION DETAILS OF UNDIMENSIONED FEATURES MAY VARY	COLOR VARIATIONS MAY OCCUR	SCALE: NONE CAD FILE: FODZSC50.SLDDRW SHEET 1 OF 1			