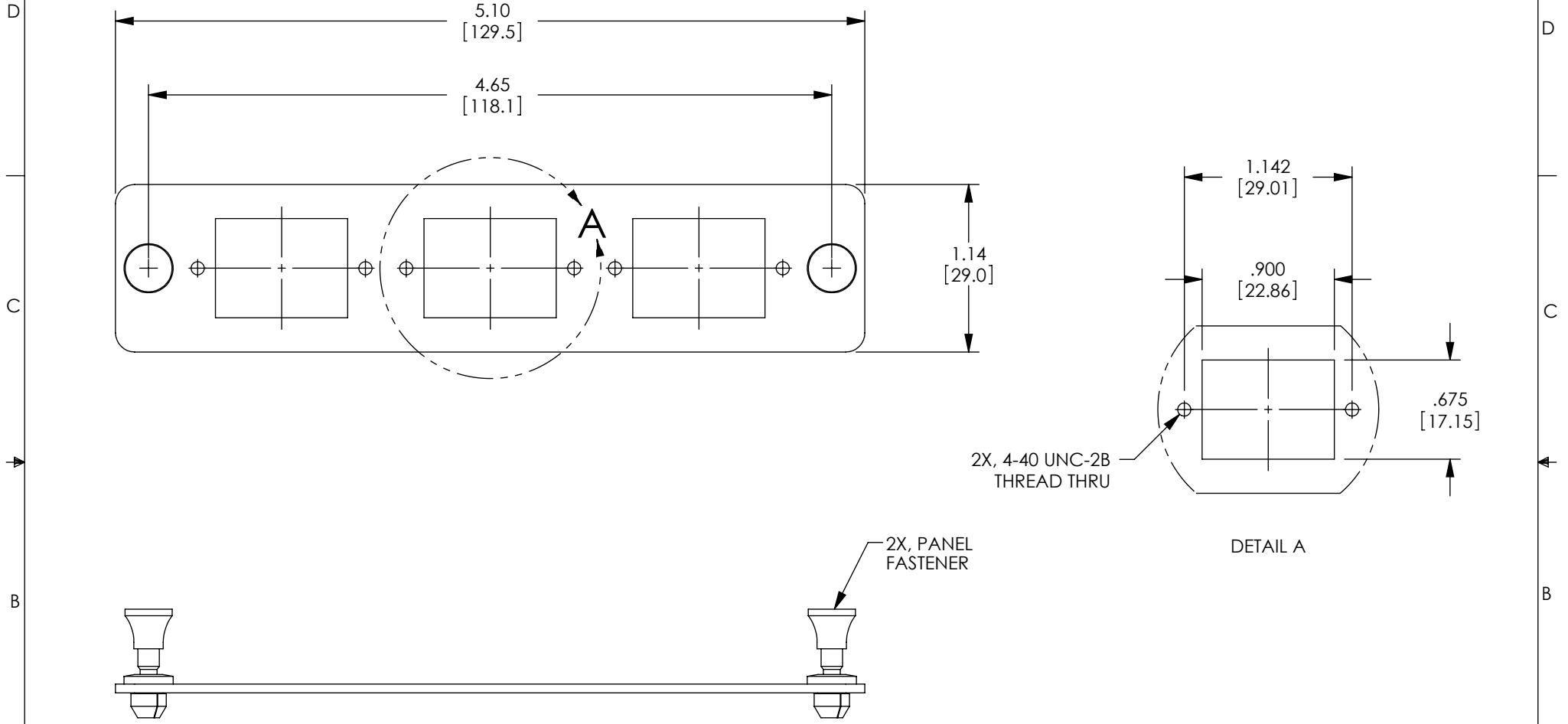


THE INFORMATION CONTAINED IN THIS DRAWING IS THE SOLE PROPERTY OF L-COM, INC. ANY REPRODUCTION IN PART OR WHOLE WITHOUT THE WRITTEN PERMISSION OF L-COM, INC. IS PROHIBITED.

REVISIONS			
REV	DESCRIPTION	DATE	APPROVED
A	INITIAL RELEASE	10/24/11	D.GRIFFIN



NOTES:

1. PANEL MATERIAL: .06 THK COLD ROLLED STEEL.
PANEL FASTENER: THERMOPLASTIC.
- 2.FINISH: BLACK POWDER COAT.
3. RECOMMENDED MOUNTING HOLE FOR MATING FASTENER, $\phi .252 +.002/.000$
4. COMPONENT SHALL BE INDIVIDUALLY PACKAGED IN ACCORDANCE WITH L-COM SPECIFICATION PS-0031.

RoHS Compliant ✓

UNLESS OTHERWISE SPECIFIED, DIMENSIONS ARE IN INCHES [mm] DIMENSIONAL TOLERANCES: .X = ±.1 .XX = ±.01 .XXX = ±.005 ANGULAR TOLERANCES: ALL = ± 1°	APPROVALS	DATE		45 BEECHWOOD DRIVE NORTH ANDOVER, MA 01845	
	DRAWN BY D.FRISIELLO	10/24/11			
	CHECKED BY M.SEDLESKI	10/24/11	CATEGORY FIBER OPTIC SUB PANELS		
	APPROVED BY M.MARTINEZ	10/24/11	PRODUCT DESCRIPTION FSP SUBPNL, ECF STYLE OPENINGS		
PROJECTION 	COLOR VARIATIONS MAY OCCUR	SIZE A	FSCM NO. 43321	DWG. NO. FSP-ECF-BNK	REV. A
		SCALE: NONE	CAD FILE: FSP-ECF-BNK.SLDDRW		SHEET 1 OF 1