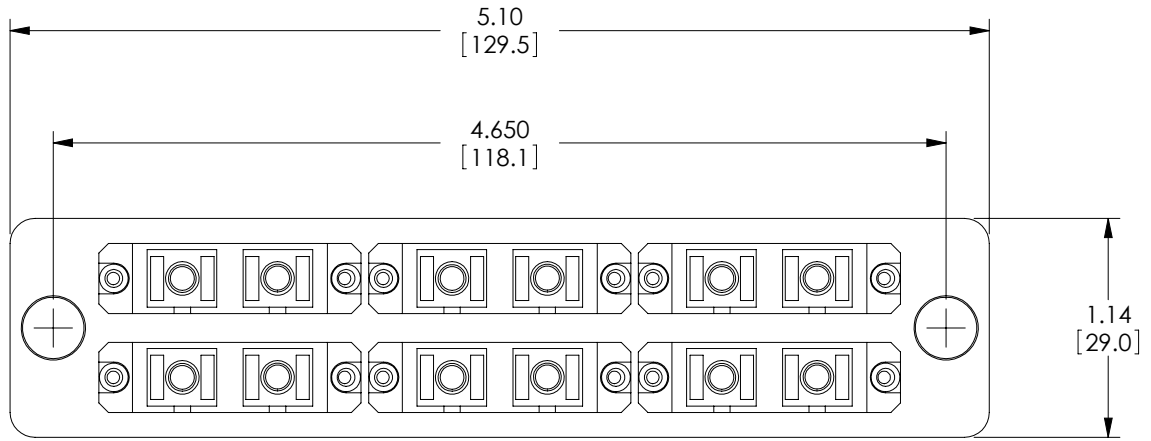
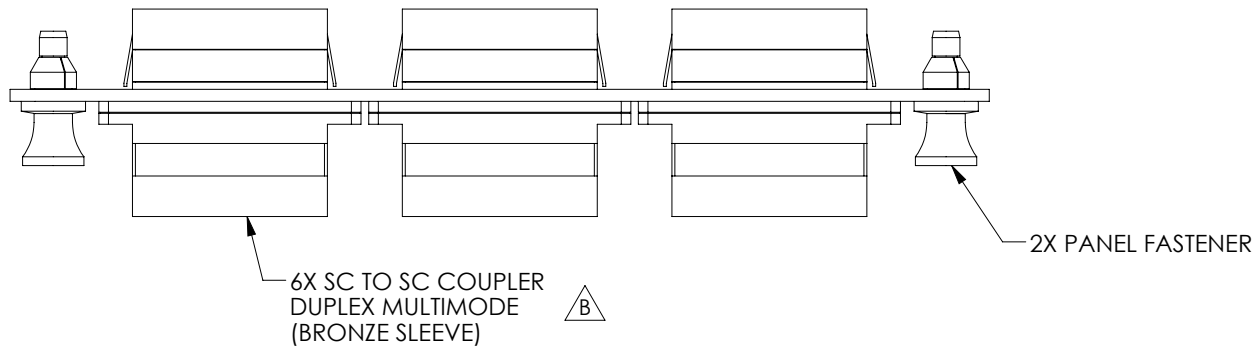


8 7 6 5 4 3 2 1

THE INFORMATION CONTAINED IN THIS DRAWING IS THE SOLE PROPERTY OF L-COM, INC. ANY REPRODUCTION IN PART OR WHOLE WITHOUT THE WRITTEN PERMISSION OF L-COM, INC. IS PROHIBITED.

REVISIONS			
REV	DESCRIPTION	DATE	APPROVED
A	INITIAL RELEASE	8/26/11	D.GRIFFIN
B	ECN 5767: ROTATED COUPLERS 180°	10/11/11	D. CASTRO



- NOTES:
1. PANEL MATERIAL: .06 THK COLD ROLLED STEEL.
FASTENER MATERIAL: THERMOPLASTIC.
 2. FINISH: BLACK POWDER COAT.
 3. RECOMMENDED MOUNTING HOLE FOR MATING FASTENER $\phi .252 + .002 / -.000$
 4. SUPPLIED WITH DUST CAPS (NOT SHOWN).
 5. COMPONENT SHALL BE INDIVIDUALLY PACKAGED IN ACCORDANCE WITH L-COM SPECIFICATION PS-0031.

RoHS Compliant ✓

UNLESS OTHERWISE SPECIFIED, DIMENSIONS ARE IN INCHES [mm] OVERALL CABLE LENGTH TOLERANCE: ≤12 [305] = +1 [25] / -0 >12 [305] ≤60 [1524] = +2 [51] / -0 >60 [1524] ≤120 [3048] = +4 [102] / -0 >120 [3048] ≤300 [7620] = +6 [152] / -0 >300 [7620] = +3% / -0%	APPROVALS	DATE		45 BEECHWOOD DRIVE NORTH ANDOVER, MA 01845
	DRAWN BY D. CASTRO	8/23/11		
ALL OTHER DIMENSIONAL TOLERANCES: .X = ± .2 .XX = ± .02 .XXX = ± .005	CHECKED BY D. PARHAM	8/23/11	CATEGORY FIBER OPTIC SUB PANELS	
	APPROVED BY M. MARTINEZ	8/23/11	PRODUCT DESCRIPTION FBR SBPNL 6 SC DPX CPL BR 12 P	
PROJECTION 	CONFIGURATION DETAILS OF UNDIMENSIONED FEATURES MAY VARY	COLOR VARIATIONS MAY OCCUR	SIZE A	FSCM NO. 43321
			DWG. NO. FSP-SCD6-BR	REV. B
			SCALE: NONE	CAD FILE: FSP-SCD6-BR.SLDDRW
			SHEET 1 OF 1	