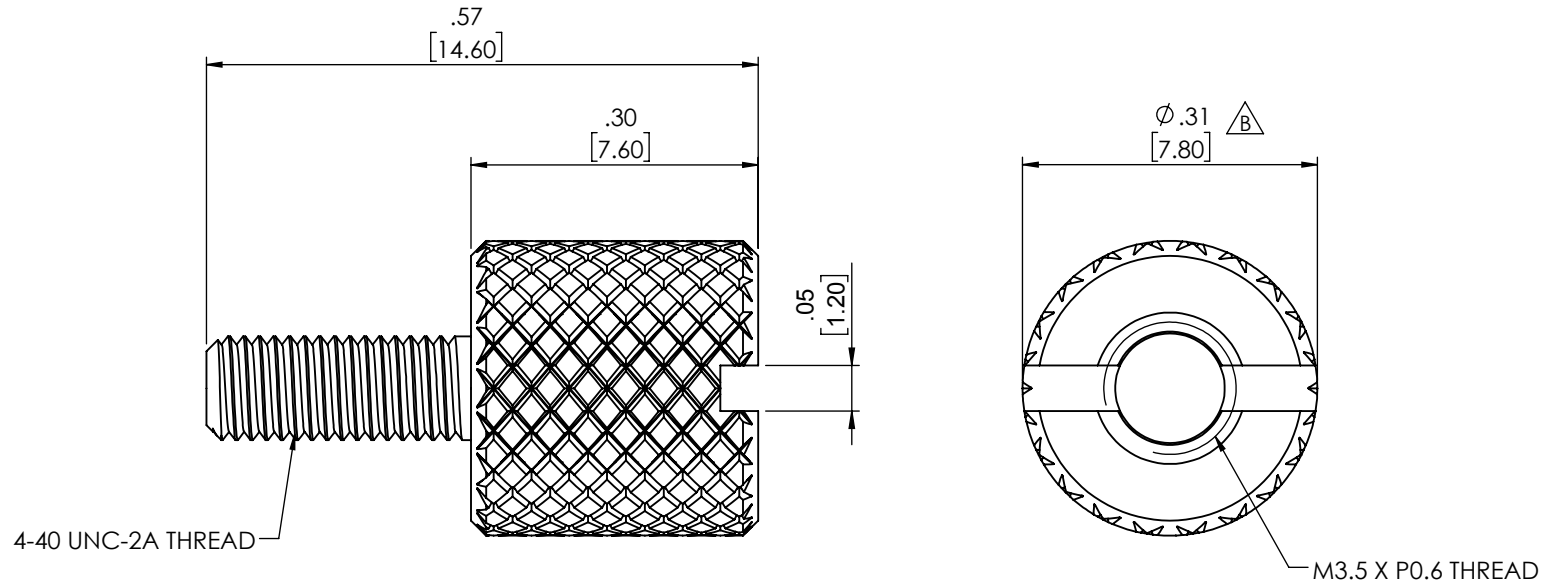


THE INFORMATION CONTAINED IN THIS DRAWING IS THE SOLE PROPERTY OF L-COM, INC. ANY REPRODUCTION IN PART OR WHOLE WITHOUT THE WRITTEN PERMISSION OF L-COM, INC. IS PROHIBITED.

REVISIONS			
REV	DESCRIPTION	DATE	APPROVED
A	INITIAL RELEASE	4/20/2017	RC
B	ECN 10060:REVISED THE HEAD OF SCREWLOCK OD FROM 8.30mm TO 7.80mm	08/26/2019	B.GATES



NOTES

1. MATERIAL: COLD ROLLED STEEL
2. FINISH: BLACK ZINC PLATED
3. BULK PACKAGE: 100 PIECES PER BAG

REGULATORY COMPLIANCE:
CE 2011/65/EU (RoHS DIRECTIVE)

UNLESS OTHERWISE SPECIFIED, DIMENSIONS ARE IN INCHES [mm] DIMENSIONAL TOLERANCES: .X = ±.1 [2.54] .XX = ±.01 [.25] .XXX = ±.005 [.13] ANGULAR TOLERANCES: ALL = ± 1°	APPROVALS	DATE	50 HIGH STREET NORTH ANDOVER, MA 01845	
	DRAWN BY RCLARK	04/19/2017		
	CHECKED BY D.FRISIELLO	4/20/2017	IEEE-488	
	APPROVED BY B.GATES	4/20/2017	PRODUCT DESCRIPTION	
PROJECTION	CONFIGURATION DETAILS OF UNDIMENSIONED FEATURES MAY VARY		CIB24SRA SCREWS 100PK	
	COLOR VARIATIONS MAY OCCUR	SIZE A	FSCM NO. 43321	DWG. NO. GPIB-J10-014
REF	SCALE: NONE	CAD FILE: GPIB-J10-014.SLDDRW		REV. B
			SHEET 1 OF 1	