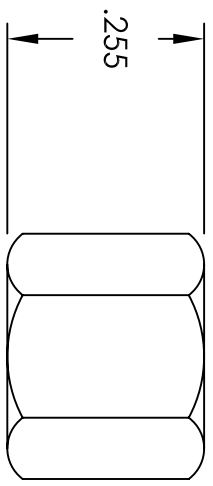
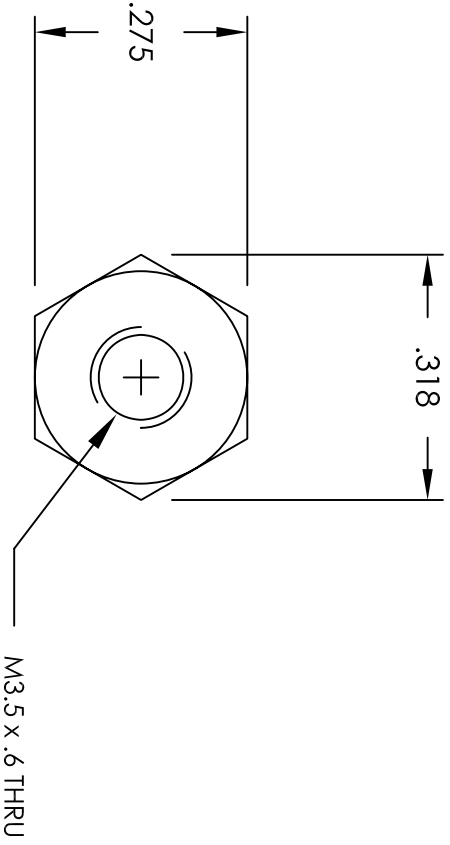


THE INFORMATION CONTAINED IN THIS DRAWING IS THE SOLE PROPERTY OF L-COM, INC. ANY REPRODUCTION IN PART OR WHOLE WITHOUT THE WRITTEN PERMISSION OF L-COM, INC. IS PROHIBITED.

| REV | DESCRIPTION | DATE | APPROVED |
|-----|-----------------|---------|-------------|
| A | INITIAL RELEASE | 5/21/07 | D.FRISIELLO |
| | | | |
| | | | |
| | | | |



NOTE:
COLOR: BLACK

| | | |
|---|--------------------------|---------|
| DIMENSIONS ARE IN INCHES (mm) UNLESS OTHERWISE SPECIFIED. TOLERANCES TO BE: .XX ± .01 [1.25] .XXX ± .005 [1.31] OVERALL CABLE LENGTH TOL: ≤.60 [15.24] +.9 [22.86] / -0 >.60 [15.24] +.9% / -.4% | APPROVALS | DATE |
| | DRAWN BY D. FRISIELLO | 5/21/07 |
| | CHECKED BY P. MCNEIL | 5/21/07 |
| | APPROVED BY P. MCNEIL | 5/21/07 |

L-COM
COMMERCIAL PRODUCTS

45 BEECHWOOD DRIVE
NORTH ANDOVER, MA
01845

CATEGORY: **HARDWARE**

PRODUCT DESCRIPTION: **HEX STANDOFF, M3.5 X .6**

SITE: **A** | ESCM NO.: **43321** | DWG. NO.: **GPIB-NUT**

SCALE: 4/1 | CAD FILE: GPIB-NUT.DWG | SHEET 1 OF 1

