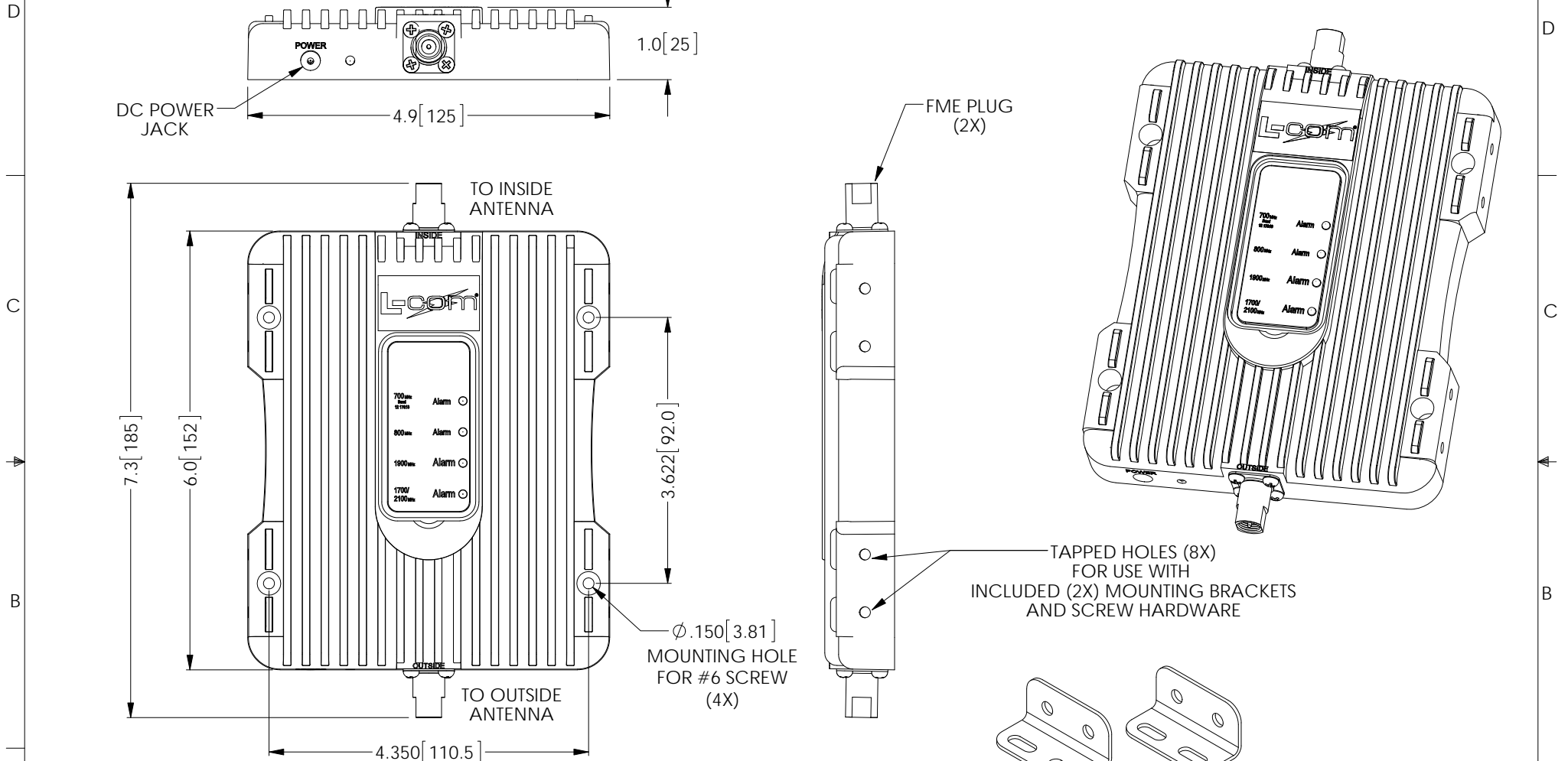


THE INFORMATION CONTAINED IN THIS DRAWING IS THE SOLE PROPERTY OF L-COM, INC. ANY REPRODUCTION IN PART OR WHOLE WITHOUT THE WRITTEN PERMISSION OF L-COM, INC. IS PROHIBITED.

REVISIONS			
REV	DESCRIPTION	DATE	APPROVED
A	INITIAL RELEASE	05/18/16	D.GRIFFIN



NOTES:

- 1- AMPLIFIER COLOR: BLUE #SH-286029
- 2- ASSEMBLY SHALL BE INDIVIDUALLY PACKAGED IN ACCORDANCE WITH L-COM SPECIFICATION PKG-00110.
- 3- (2) MOUNTING BRACKETS W/ SCREW HARDWARE, WALL MOUNT ANCHORS W/ SCREWS, (1) OUTSIDE MAGNETIC MOUNT ANTENNA, (1) INSIDE PATCH ANTENNA, (1) 12V VEHICLE POWER ADAPTER AND INSTALLATION GUIDE #IP-00139 INCLUDED.

-ALL DIMENSIONS FOR REFERENCE ONLY-

REGULATORY COMPLIANCE:

CE2011/65/EU (RoHS DIRECTIVE)

UNLESS OTHERWISE SPECIFIED, DIMENSIONS ARE IN INCHES [mm]	APPROVALS	DATE		50 HIGH STREET NORTH ANDOVER, MA 01845	
	DRAWN BY B. PUCHASKI	05/18/16			
DIMENSIONAL TOLERANCES: .X = ±.1 [2.54] .XX = ±.01 [.25] .XXX = ±.005 [.13]	CHECKED BY K. BURGNER	05/18/16	CATEGORY	AMPLIFIER	
	APPROVED BY P. PESA	05/18/16			
ANGULAR TOLERANCES: ALL = ± 1°	CONFIGURATION DETAILS OF UNDIMENSIONED FEATURES MAY VARY		PRODUCT DESCRIPTION 700-2100MHz 50dB MOBILE CELL AMPLIFIER KIT W/ ANTENNAS		
PROJECTION 	COLOR VARIATIONS MAY OCCUR	SIZE A	FSCM NO. 43321	DWG. NO. HAKIT-72150-M01	REV. A
		SCALE: NONE	CAD FILE: HAKIT-72150-M01.SLDDRW		SHEET 1 OF 1