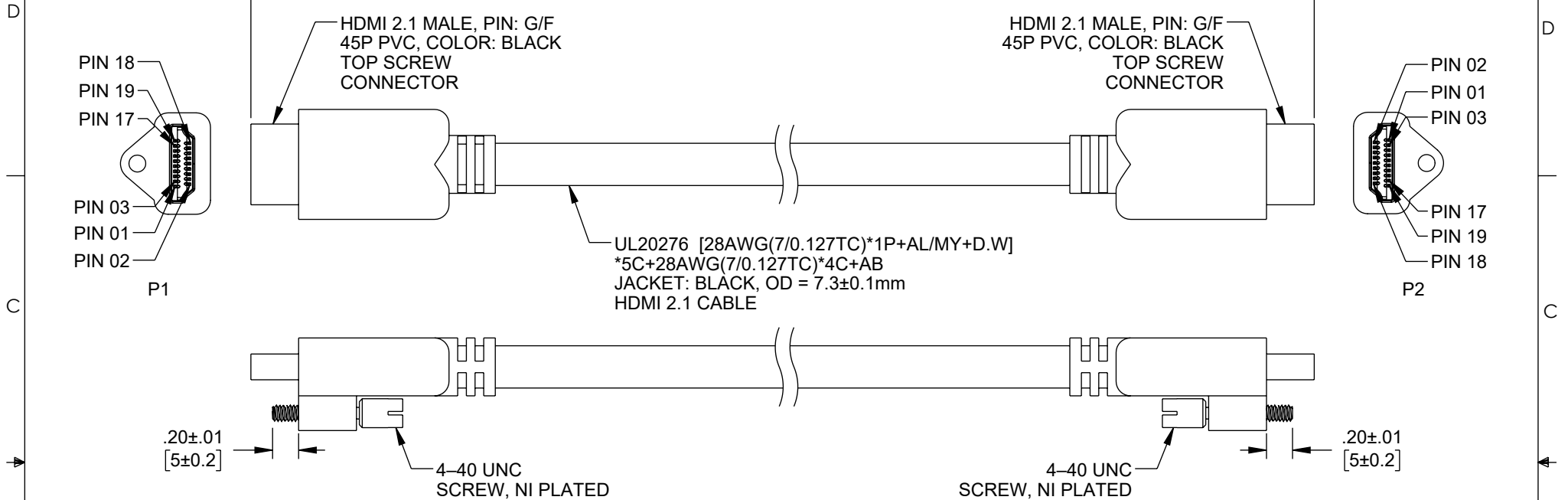


THE INFORMATION CONTAINED IN THIS DRAWING IS THE SOLE PROPERTY OF L-COM, INC. ANY REPRODUCTION IN PART OR WHOLE WITHOUT THE WRITTEN PERMISSION OF L-COM, INC. IS PROHIBITED.

REVISION					
ZONE	REV	DESCRIPTION	DATE	CHANGED BY	APPROVED
	A	INITIAL RELEASE	7/31/2023	SREITER	GUTTADAURO



.20±.01  
[5±0.2]

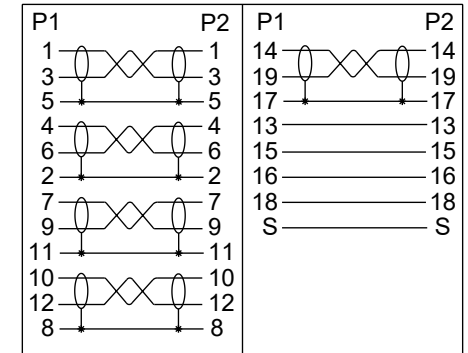
4-40 UNC  
SCREW, NI PLATED

4-40 UNC  
SCREW, NI PLATED

.20±.01  
[5±0.2]

PART NUMBER	LENGTH	
	METER	FEET
HD21-SCW-MM-1M	1	3.3
HD21-SCW-MM-2M	2	6.6

**PINOUT**



**NOTES:**


- CABLE ASSEMBLY SHALL BE TESTED FOR CONTINUITY.
- CABLE ASSEMBLY SHALL RECEIVE INSERTION LOSS TEST PER STANDARD SPECIFICATIONS.
- CABLE ASSEMBLY SHALL BE INDIVIDUALLY PACKAGED.

**ELECTRICAL PROPERTIES:**

- VOLTAGE TEST: DC 300V, 10ms
- INSULATION RESISTANCE: 5.0MΩ/MIN
- CONDUCTANCE RESISTANCE: 5.0Ω MAX

**REGULATORY COMPLIANCE:**

EU RoHS DIRECTIVE (MOST RECENT RELEASED VERSION)

UNLESS OTHERWISE SPECIFIED, DIMENSIONS ARE IN INCHES [mm] OVERALL CABLE LENGTH TOLERANCE: ≤12 [305] = +1 [25] / -0 >12 [305] ≤60 [1524] = +2 [51] / -0 >60 [1524] ≤120 [3048] = +4 [102] / -0 >120 [3048] ≤300 [7620] = +6 [152] / -0 >300 [7620] = +5% / -0 ALL OTHER DIMENSIONAL TOLERANCES: .X = ±.2 [5]   FRACTIONS ± 1/32 .XX = ±.02 [5]   ANGLES ± 1° .XXX = ±.005 [1.3]	APPROVALS	DATE	 50 High Street, West Mill, North Andover, MA 01845 USA. Phone: 1.800.341.5266 1.978.682.6936	
	DRAWN BY SREITER	7/31/2023		CATEGORY <b>HDMI CABLE</b>
	CHECKED BY RCARLESCO	7/31/2023		
	APPROVED BY GUTTADAURO	7/31/2023		
THIRD-ANGLE PROJECTION	CONFIGURATION DETAILS OF UNDIMENSIONED FEATURES MAY VARY	PRODUCT DESCRIPTION <b>HDMI 2.1 MALE TOP SCREW TO HDMI MALE TOP SCREW</b>	SIZE <b>A</b>	
	COLOR VARIATIONS MAY OCCUR	CAGE CODE <b>43321</b>	ITEM NO. <b>HD21-SCWN-MM</b>	
		SCALE: NONE	CAD FILE: HD21-SCWN-MM.SLDDRW	
			SHEET 1 OF 1	